



INDEX

SHAPES AND DIMENSIONS..... 1

PART NUMBER CODE 2

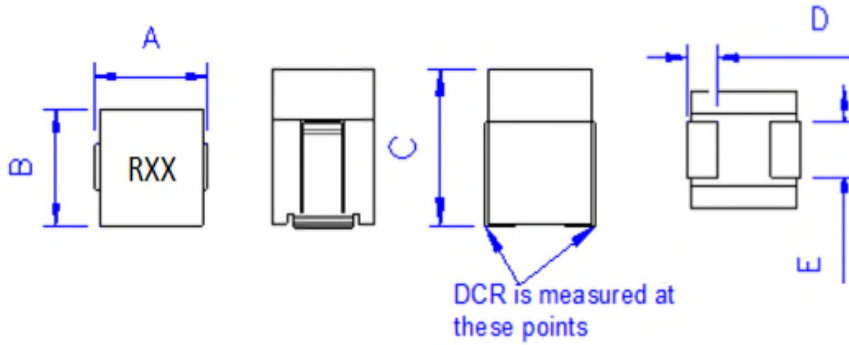
ELECTRICAL CHARACTERISTICS 3

REEL DIMENSIONS AND PACKAGING QUANTITY 4



SMT Power Inductor SIH050506-R20 Series

■ SHAPES AND DIMENSIONS

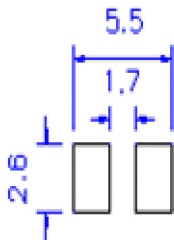


Unit: mm

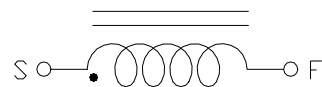
P/N	A max	B max	C max	D	E
SIH050506-R20	5.2	5.0	6.1	1.4 ± 0.2	2.0 ± 0.2

Marking : RXX = Inductance

Recommend PAD Layout



Equivalent circuit





■ PART NUMBER CODE

SIH 050506 - R10 M A - R20
1 2 3 4 5 6

1. Series Name
2. Size Code
3. Inductance(R=Decimal Point) Unit : nH ; R10 = 0.1uH = 100nH
4. Inductance tolerance: "L"±15%; "M"±20%.
5. Soldering : A=Lead Free
6. Special code



■ ELECTRICAL CHARACTERISTICS

1. Part Number and Characteristics Table

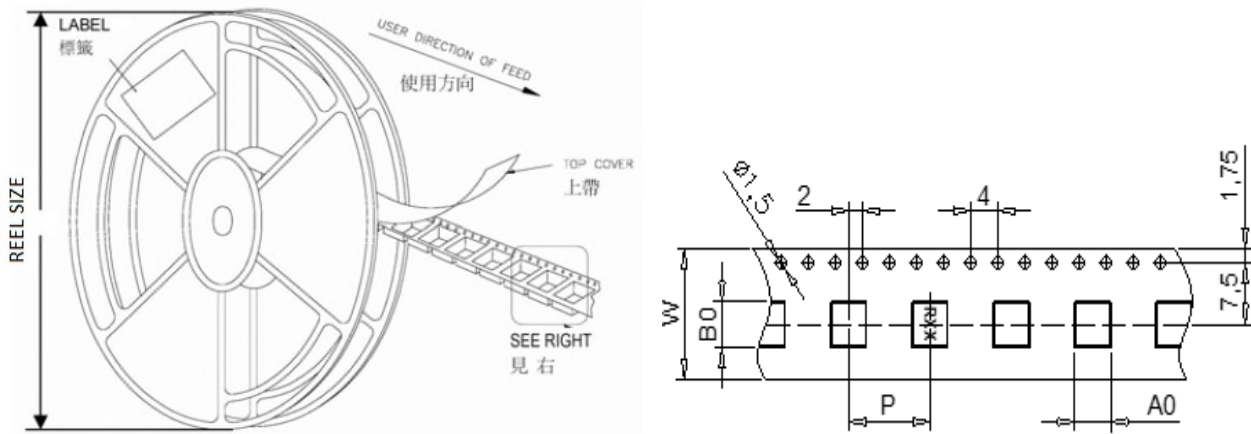
Part number	Initial Inductance (nH)	Tolerance (±%)	DCR (mΩ)	1-Saturation Current @25°C (Amps)(typ)	2-Saturation Current @100°C (Amps)(typ)	Temperature Rise Current (Amps)(typ)
SIH050506-50NLA-R20	50	15	0.20 ± 7%	68	58	44
SIH050506-70NLA-R20	70	15	0.20 ± 7%	60	50	44
SIH050506-R10MA-R20	100	20	0.20 ± 7%	35	29	44

Note:

- Initial Inductance: Testing at 100 KHz / 1.0 Vrms.
- Saturation Current: DC current that will cause initial Inductance to drop approximately 20%.
- Temperature Rise Current: DC current that will cause an approximate ΔT of 40°C.
- All test data is referenced to 25°C ambient.
- Operating temperature : -40~+125°C (Including self - temperature rise).



REEL DIMENSIONS AND PACKAGING QUANTITY



Unit: mm

TYPE	W	P	REEL SIZE	PCS / REEL
SIH050506-R20	16	12	330 mm (13")	800