



INDEX

SHAPES AND DIMENSIONS..... 1

PART NUMBER CODE 2

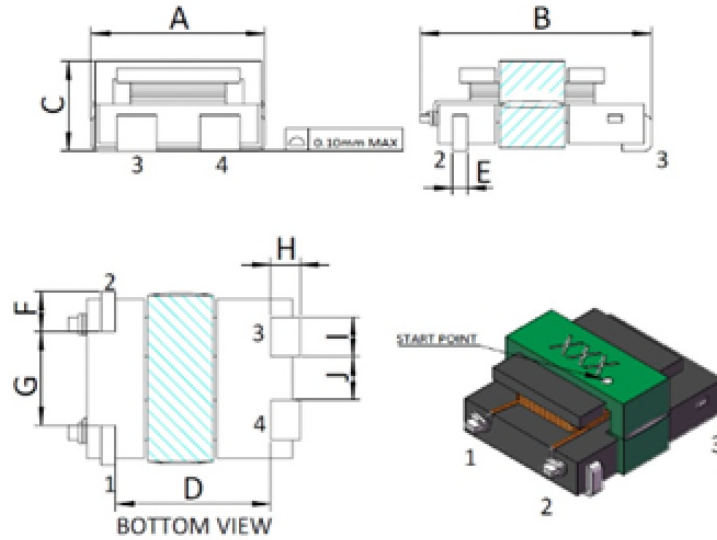
ELECTRICAL CHARACTERISTICS 3

REEL DIMENSIONS AND PACKAGING QUANTITY 4



SMT Current Sense Transformer AEC-Q200 standard compliance SEEM4.6 Series

■ SHAPES AND DIMENSIONS

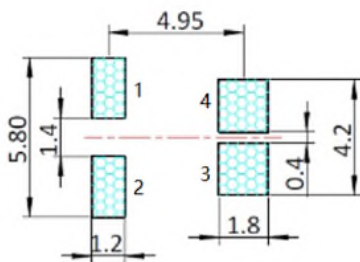


Unit: mm

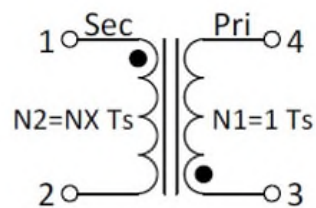
P/N	A max	B max	C max	D	E	F	G	H	I	J
SEEM4.6	5.20	7.20	3.00	4.05 ±0.3	0.4 ±0.15	1.1 ±0.2	2.6 ±0.2	1.2 ±0.2	1.1 ±0.2	1.2 ±0.2

Marking : XXX = Secondary Turn

Recommend PAD Layout



Equivalent circuit





■ PART NUMBER CODE

SEEM 4.6 - 50T - 1T
1 2 3 4

1. Series Name
2. Size Code
3. Secondary Turn: 50Ts:
4. Primary Turn: 1Ts.



■ ELECTRICAL CHARACTERISTICS

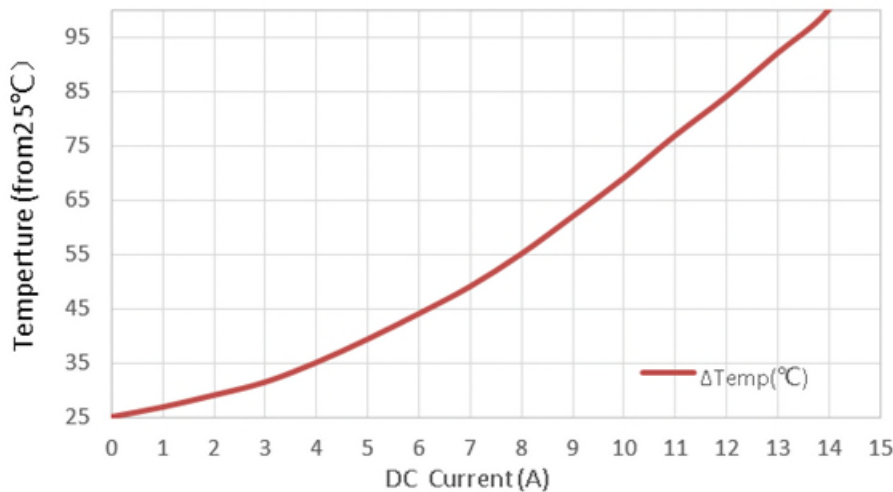
1. Part Number and Characteristics Table

Part No.	Turns ratio Sec:Pri	Secondary Inductance @100KHz 0.1V (mH)MIN	DCR		Hi-pot Pri-Sec @3mA 3S 50Hz	Primary Current(A) (Max)
			Sec MAX (Ω)	Pri REF (mΩ)		
SEEM4.6-20T-1T	20:1	0.053	0.42	1.5	500V AC	9.0
SEEM4.6-50T-1T	50:1	0.333	2.76	1.5	500V AC	9.0
SEEM4.6-70T-1T	70:1	0.652	5.04	1.5	500V AC	9.0
SEEM4.6-100T-1T	100:1	1.330	10.68	1.5	500V AC	9.0
SEEM4.6-150T-1T	150:1	2.993	22.30	1.5	500V AC	9.0

Note:

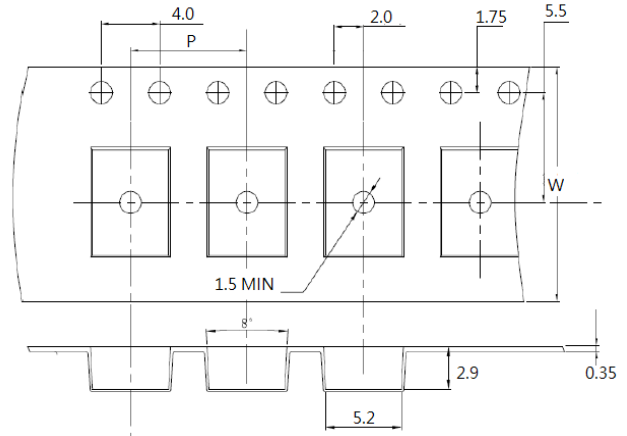
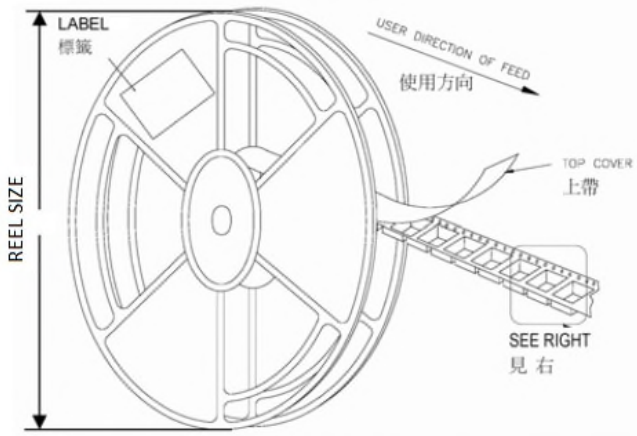
- Primary current: DC current that will causes less than 40°C temperature rise from 25°C ambient. Higher current causes a greater temperature rise.
- Operating temperature : -40~+125°C .
- Frequency range : SEEM4.6 @50KHz TO 1MHz

2. Temperature Rise vs Current Curve





REEL DIMENSIONS AND PACKAGING QUANTITY



Unit: mm

TYPE	W	P	REEL SIZE	PCS / REEL
SEEM4.6	16	8	330 mm (13")	2500