



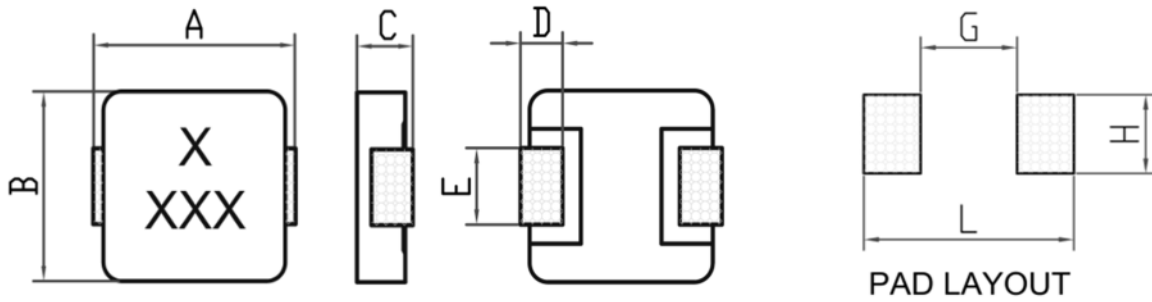
INDEX

SHAPES AND DIMENSIONS.....	1
PART NUMBER CODE	1
ELECTRICAL CHARACTERISTICS	2
REEL DIMENSIONS AND PACKAGING QUANTITY	3



Shielded SMT High Current Power Inductor
AEC-Q200 standard compliance
SPIA1205_1265 series

■ SHAPES AND DIMENSIONS



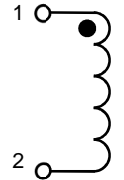
Unit: mm

Item	A Max	B Max	C Max	D	E	G	H	L
SPIA1205	13.4±0.5	12.6±0.3	4.80±0.2	2.30±0.3	3.00±0.5	8.00	5.00	14.5
SPIA1265	13.4±0.5	12.6±0.3	6.30±0.2	2.30±0.3	3.00±0.5	8.00	5.00	14.5

Marking :

X = A
XXX = Inductance

Schematic :



■ PART NUMBER CODE

SPIA 1205 - 1R0 M A
1 2 3 4 5

1. Series Name
2. Size Code
3. Inductance(R=Decimal Point) Unit : μH ; 1R0 =1.0uH
4. Inductance tolerance: "M"±20%
5. Soldering : A=Lead Free



■ ELECTRICAL CHARACTERISTICS

1. Part Number and Characteristics Table

Part No.	Inductance L0 (uH)	DCR(mΩ)		Isat(A)		Irms(A)	
		Typ.	Max.	Typ.	Max.	Typ.	Max.
SPIA1205-R47MA	0.47	0.87	1.1	62.0	54.0	41.0	36.0
SPIA1205-R68MA	0.68	1.32	1.7	48.5	42.5	34.0	30.0
SPIA1205-1R0MA	1.0	1.86	2.3	44.0	37.0	25.0	22.0
SPIA1205-2R2MA	2.2	4.24	5.2	33.0	28.0	20.0	18.0
SPIA1205-3R3MA	3.3	8.0	9.6	28.0	25.0	15.0	13.0
SPIA1205-4R7MA	4.7	10.9	13.0	22.0	18.5	13.0	11.0
SPIA1205-100MA	10.0	23.3	28.0	13.5	12.0	9.0	8.0

Part No.	Inductance L0 (uH)	DCR(mΩ)		Isat(A)		Irms(A)	
		Typ.	Max.	Typ.	Max.	Typ.	Max.
SPIA1265-1R5MA	1.5	2.58	3.0	48.0	40.0	29.0	27.0
SPIA1265-3R3MA	3.3	4.8	5.7	25.0	22.0	20.0	18.0
SPIA1265-8R2MA	8.2	14.5	15.5	19.0	16.0	12.0	10.5
SPIA1265-100MA	10.0	15.6	18.7	17.0	15.0	11.0	9.0
SPIA1265-330MA	33.0	58.8	70.0	8.5	7.0	6.0	5.0

Note 1: Referenced ambient temperature 25°C.

Note 2: Test Condition :100kHz ,0.25 Vrms.

Note 3: Isat (Typ): DC current (A) that will cause L0 to drop approximately 30%

Isat (Max): DC current (A) that will cause L0 to drop 30% Max

Irms (Typ): DC current (A) that will cause an approximate ΔT of 40°C

Irms (Max): DC current (A) that will cause an ΔT of 40°C Max

Note 4: Operating temperature range includes self-temperature rise.

Note 5: The rated current as listed is either the saturation current or the heating current depending on which value is lower.

2. Test equipments

2.1. L: Wayne kerr 3260B LCR meter, Wayne kerr 3265B bias current source.

2.2. DCR: Chroma16502 Milliohm Meter

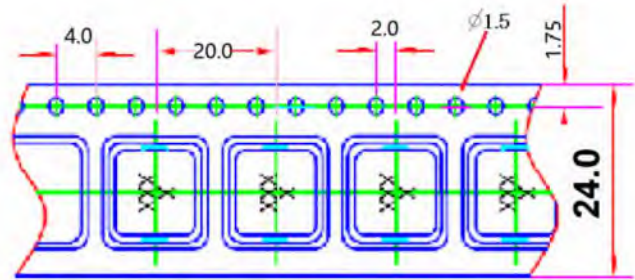
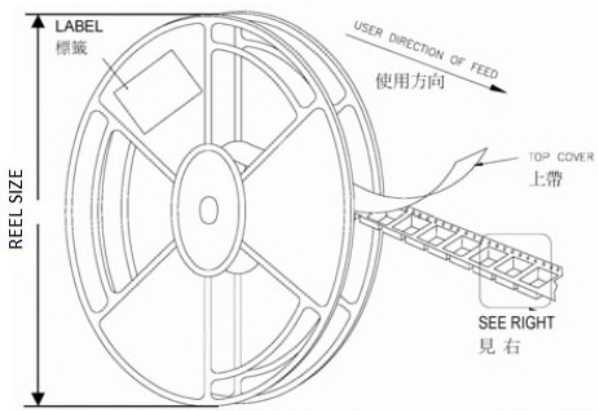
2.3. IWT test: Chroma 19301(A).(Impulse winding test)

2.4. Operating temperature: -55°C to 155°C

* Equivalent measurement equipment may be used.



■ REEL DIMENSIONS AND PACKAGING QUANTITY



Unit: mm

TYPE	W	P	REEL SIZE	PCS / REEL
SPIA1205 series	24	20	330 mm (13")	500
SPIA1265 series	24	20	330 mm (13")	400