



INDEX

SHAPES AND DIMENSIONS..... 1

PART NUMBER CODE 2

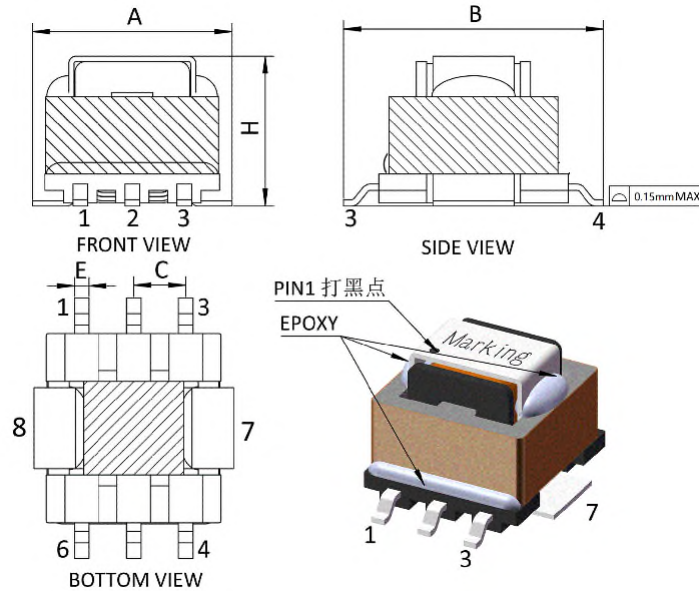
ELECTRICAL CHARACTERISTICS 3

REEL DIMENSIONS AND PACKAGING QUANTITY 4



SMT Current Sense Transformer AEC-Q200 standard compliance SEEM8.3 Series

■ SHAPES AND DIMENSIONS

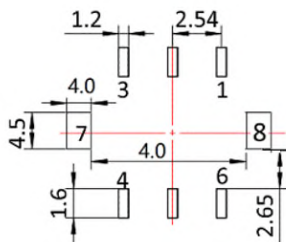


Unit: mm

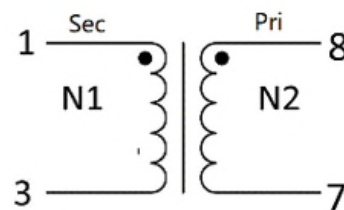
P/N	A max	B max	H max	C	E	F	G
SEEM8.3	11.0	13.0	7.8	2.5±0.3	0.7±0.1	0.25 REF	0.8 REF

Marking : XXX = Secondary Turn

Recommend PAD Layout



Equivalent circuit





■ PART NUMBER CODE

SEEM 8.3 - 50T - 1T
1 2 3 4

1. Series Name
2. Size Code
3. Secondary Turn: 50Ts:
4. Primary Turn: 1Ts.



■ ELECTRICAL CHARACTERISTICS

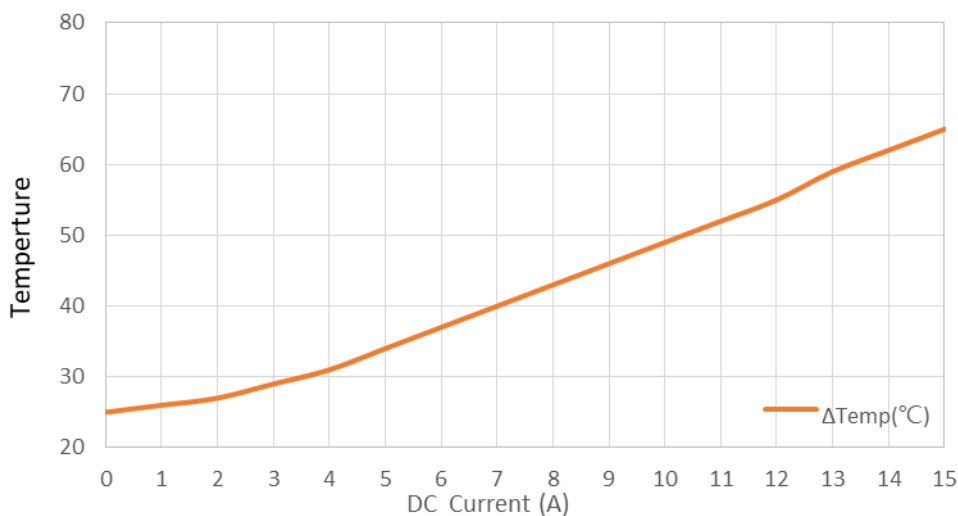
1. Part Number and Characteristics Table

Part No.	Turns ratio Sec:Pri	Secondary Inductance @100KHz 0.1V (mH)MIN	DCR		Hi-pot Pri-Sec @3mA 3S 50Hz	Primary Current(A) (Max)
			Sec MAX (Ω)	Pri REF (mΩ)		
SEEM8.3-20T-1T	20:1	0.22	0.21	3.90	500V AC	15.0
SEEM8.3-30T-1T	30:1	0.50	0.32	3.90	500V AC	15.0
SEEM8.3-40T-1T	40:1	0.88	0.50	3.90	500V AC	15.0
SEEM8.3-50T-1T	50:1	1.40	0.65	3.90	500V AC	15.0
SEEM8.3-60T-1T	60:1	2.00	0.81	3.90	500V AC	15.0
SEEM8.3-70T-1T	70:1	2.70	1.00	3.90	500V AC	15.0
SEEM8.3-80T-1T	80:1	3.50	1.30	3.90	500V AC	15.0
SEEM8.3-100T-1T	100:1	5.60	2.00	3.90	500V AC	15.0
SEEM8.3-125T-1T	125:1	8.70	5.20	3.90	500V AC	15.0
SEEM8.3-150T-1T	150:1	12.60	6.50	3.90	500V AC	15.0
SEEM8.3-200T-1T	200:1	22.00	8.00	3.90	500V AC	15.0

Note:

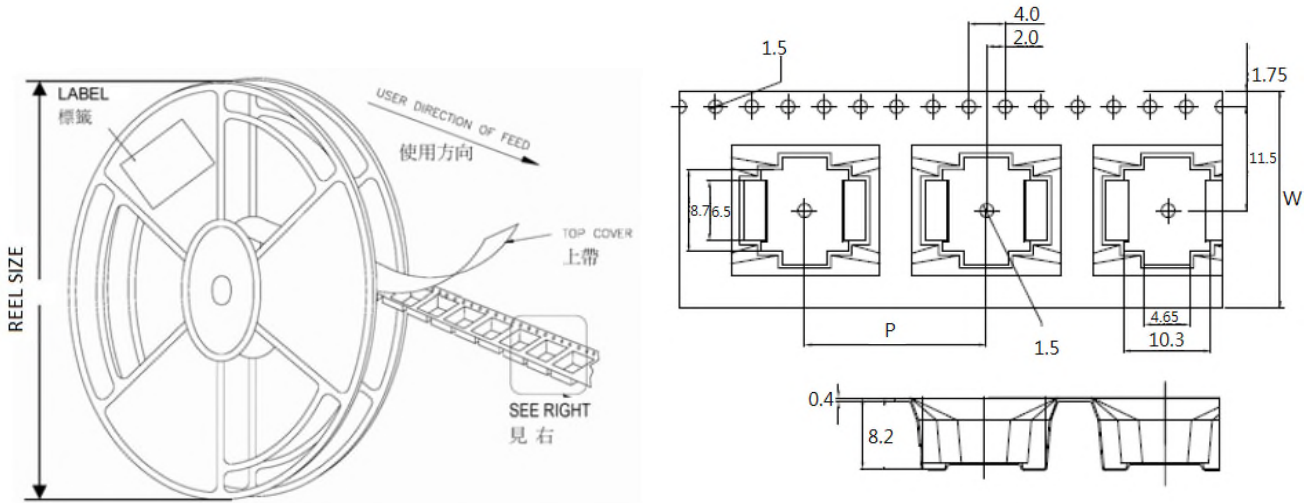
- Primary current: DC current that will causes less than 40°C temperature rise from 25°C ambient. Higher current causes a greater temperature rise.
- Operating temperature : -40~+125°C .
- Frequency range : SEEM8.3 @50KHz TO 1MHz

2. Temperature Rise vs Current Curve





REEL DIMENSIONS AND PACKAGING QUANTITY



Unit: mm

TYPE	W	P	REEL SIZE	PCS / REEL
SEEM8.3	24	20	330 mm (13")	350