



INDEX

SHAPES AND DIMENSIONS..... 1

PART NUMBER CODE 2

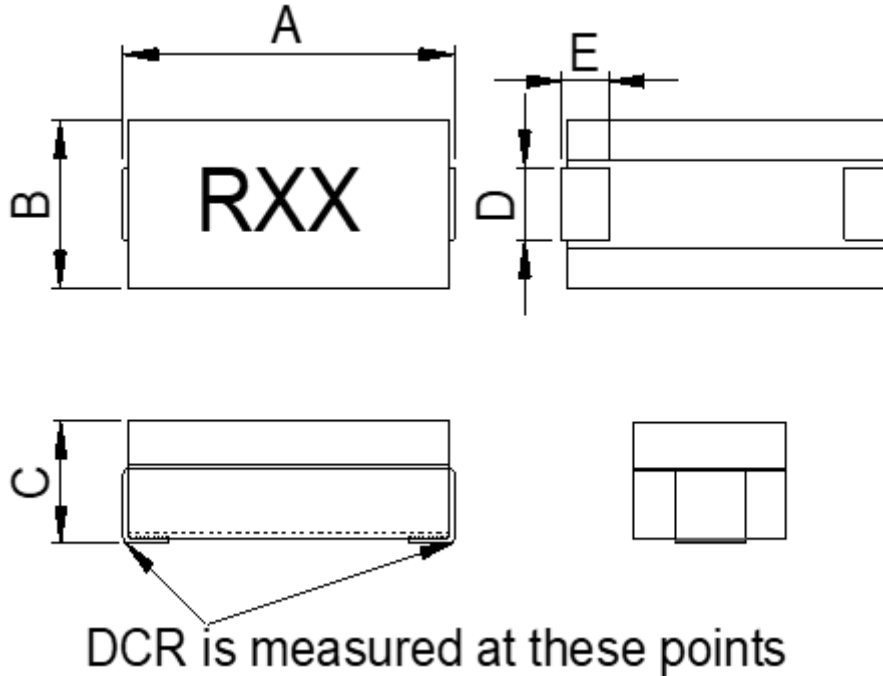
ELECTRICAL CHARACTERISTICS 3

REEL DIMENSIONS AND PACKAGING QUANTITY 4



SMT Power Inductor SIH150705-R47 series

■ SHAPES AND DIMENSIONS

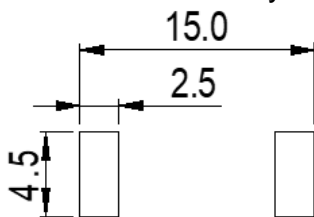


Unit: mm

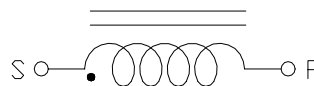
P/N	A	B	C max	D ref	E ref
SIH150705-R47	14.7 ± 0.3	6.7 ± 0.3	5	2.8	2

Marking : XXX = Inductance

Recommend PAD Layout



Equivalent circuit





■ PART NUMBER CODE

SIH 150705 - R10 L A - R47
1 **2** **3** **4** **5** **6**

1. Series Name
2. Size Code
3. Inductance(R=Decimal Point) Unit : nH ; R10 = 0.1uH = 100nH
4. Inductance tolerance: "L"±15%
5. Soldering : A=Lead Free
6. Special code



■ ELECTRICAL CHARACTERISTICS

1. Part Number and Characteristics Table

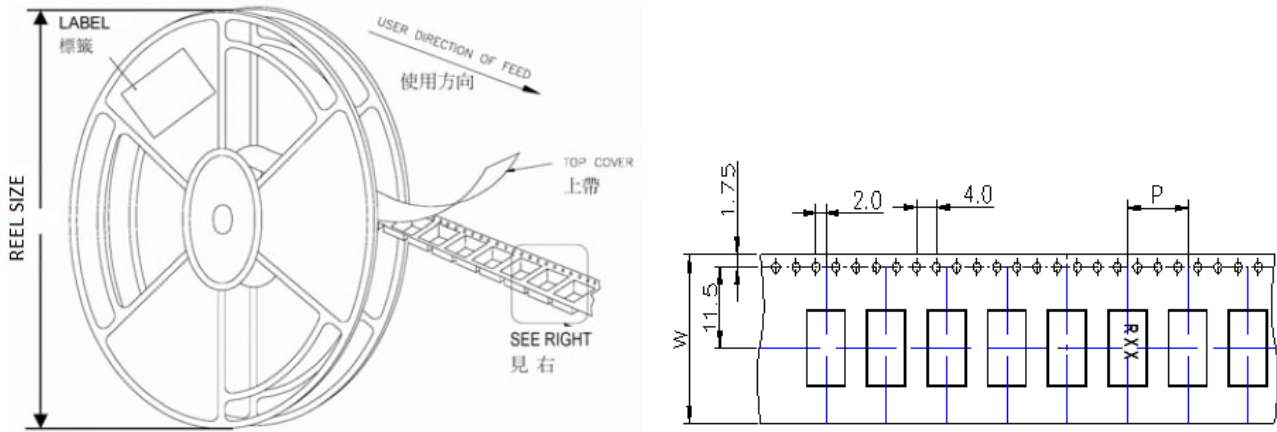
Part number	Initial Inductance (nH)	Tolerance (±%)	DCR (mΩ)	1-Saturation Current @25°C (Amps)(typ)	2-Saturation Current @125°C (Amps)(typ)	Temperature Rise Current (Amps)(typ)
SIH150705-R10LA-R47	100.0	15	0.47 ± 7%	105	80	53
SIH150705-R12LA-R47	120.0	15	0.47 ± 7%	87	75	53
SIH150705-R15LA-R47	150.0	15	0.47 ± 7%	72	60	53

Note:

- Initial Inductance: Testing at 100 KHz / 1.0 Vrms.
- Saturation Current: DC current that will cause initial Inductance to drop approximately 20%.
- Temperature Rise Current: DC current that will cause an approximate ΔT of 40°C.
- All test data is referenced to 25°C ambient. 2-Saturation Current test data is referenced to 125°C ambient.
- Operating temperature : -40~+125°C



REEL DIMENSIONS AND PACKAGING QUANTITY



Unit: mm

TYPE	W	P	REEL SIZE	PCS / REEL
SIH150705-R47	24	12	330 mm (13")	800