



INDEX

SHAPES AND DIMENSIONS..... 1

PART NUMBER CODE 2

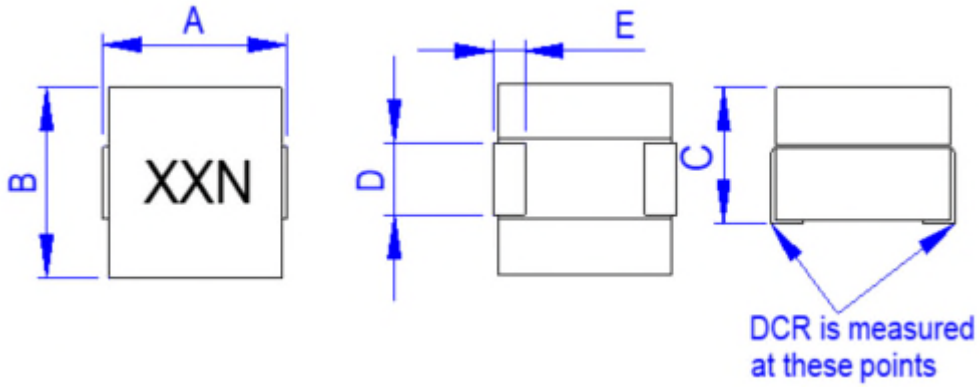
ELECTRICAL CHARACTERISTICS 3

REEL DIMENSIONS AND PACKAGING QUANTITY 4



SMT Power Inductor SIH0603 Series

■ SHAPES AND DIMENSIONS

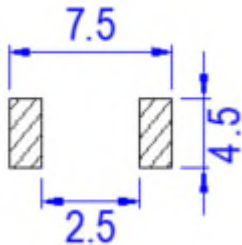


Unit: mm

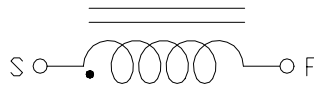
P/N	A max	B max	C max	D	E min
SIH0603 Series	7.2	6.7	3.0	3.0±0.2	1.0

Marking : XXX = Inductance

Recommend PAD Layout



Equivalent circuit





■ PART NUMBER CODE

SIH 0603 - 47N M A
1 2 3 4 5

1. Series Name
2. Size Code
3. Inductance(R=Decimal Point) Unit : nH ; 47N =47nH
4. Inductance tolerance: "M"±20%.
5. Soldering : A=Lead Free



■ ELECTRICAL CHARACTERISTICS

1. Part Number and Characteristics Table

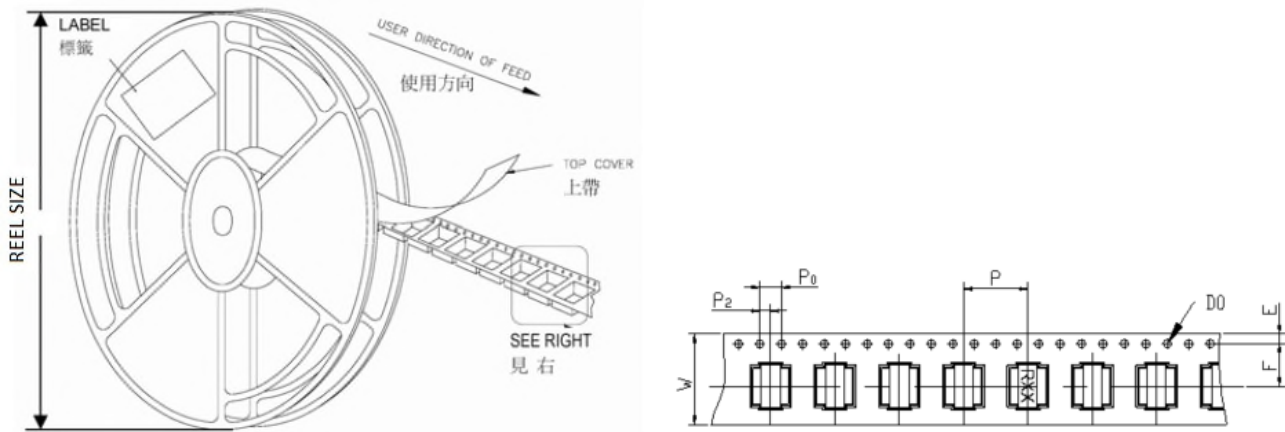
Part number	Initial Inductance (nH)	Tolerance (±%)	DCR (mΩ)	1-Saturation Current @25°C (Amps)(typ)	Temperature Rise Current (Amps)(typ)
SIH0603-47NMA	47	20	0.24 typ	42	39
SIH0603-64NMA	64	20	0.24 typ	32	39

Note:

- Initial Inductance: Testing at 100 KHz / 1.0 Vrms.
- Saturation Current: DC current that will cause initial Inductance to drop approximately 20%.
- Temperature Rise Current: DC current that will cause an approximate ΔT of 40°C.
- All test data is referenced to 25°C ambient.
- Operating temperature : -40~+125°C (Including self - temperature rise).



■ REEL DIMENSIONS AND PACKAGING QUANTITY



Unit: mm

TYPE	W	P	REEL SIZE	PCS / REEL
SIH0603	16	12	330 mm (13")	1300