



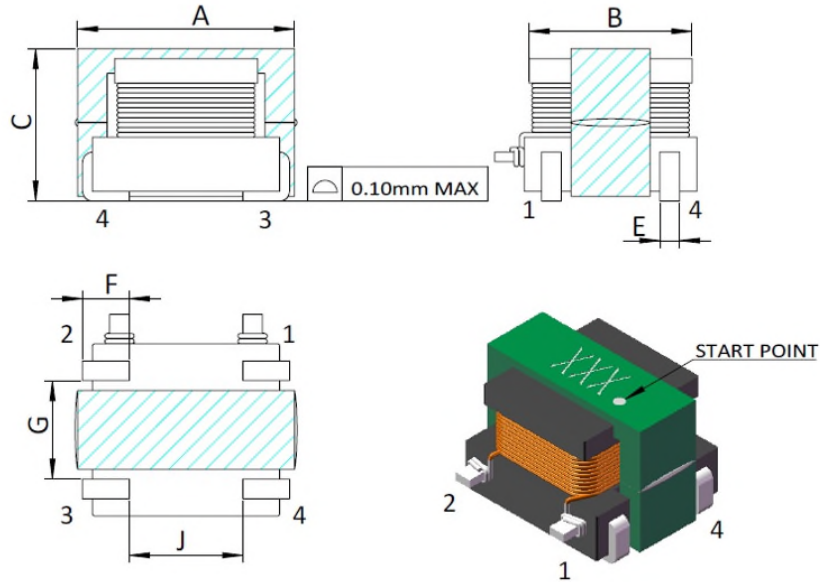
# INDEX

SHAPES AND DIMENSIONS.....	1
PART NUMBER CODE .....	2
ELECTRICAL CHARACTERISTICS .....	3
REEL DIMENSIONS AND PACKAGING QUANTITY .....	4



## SMT Current Sense Transformer AEC-Q200 standard compliance SEEM4.4 Series

### ■ SHAPES AND DIMENSIONS

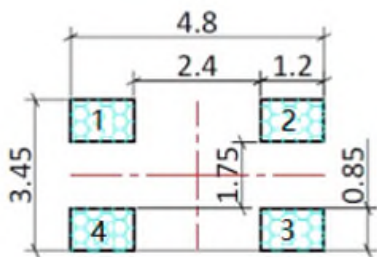


Unit: mm

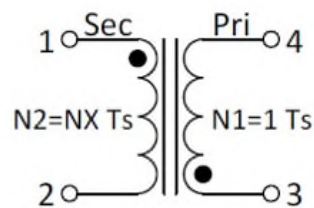
P/N	A max	B max	C max	E	F	G	H
SEEM4.4	4.80	3.65	3.55	0.40 ref	0.85 ref	2.10 ref	2.50 ref

Marking : XXX = Secondary Turn

Recommend PAD Layout



Equivalent circuit





## ■ PART NUMBER CODE

SEEM    4.4    -    50T    -    1T  
1            2            3            4

1. Series Name
2. Size Code
3. Secondary Turn: 50Ts:
4. Primary Turn: 1Ts.



## ■ ELECTRICAL CHARACTERISTICS

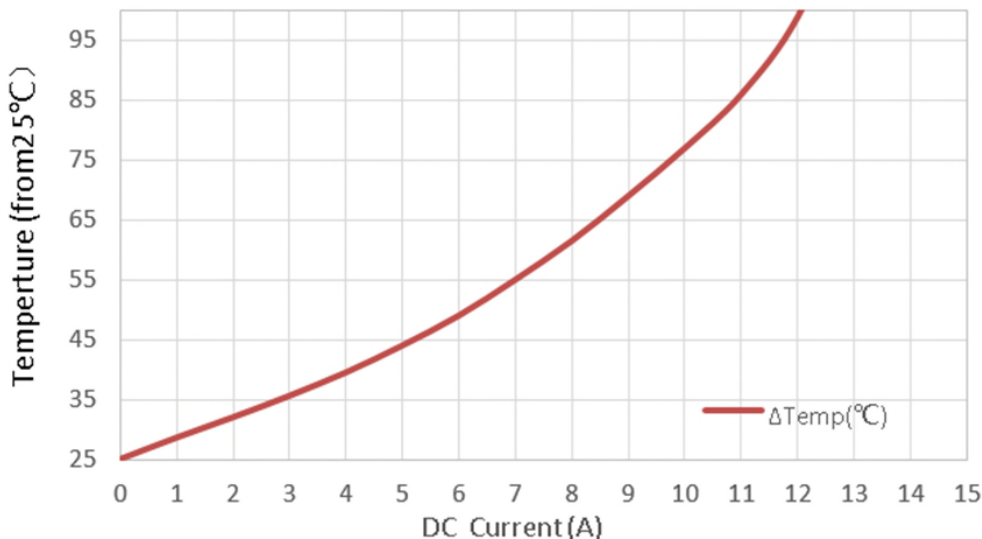
### 1. Part Number and Characteristics Table

Part No.	Turns ratio Sec:Pri	Secondary Inductance @100KHz 0.1V (uH)MIN	DCR		Hi-pot Pri-Sec @3mA 3S 50Hz	Primary Current(A) (Max)
			Sec MAX (Ω)	Pri REF (mΩ)		
SEEM4.4-20T-1T	20:1	33	0.35	3.0	500V AC	7.0
SEEM4.4-30T-1T	30:1	74	0.80	3.0	500V AC	7.0
SEEM4.4-40T-1T	40:1	132	1.60	3.0	500V AC	7.0
SEEM4.4-50T-1T	50:1	205	2.50	3.0	500V AC	7.0
SEEM4.4-60T-1T	60:1	295	3.60	3.0	500V AC	7.0
SEEM4.4-70T-1T	70:1	400	4.60	3.0	500V AC	7.0
SEEM4.4-100T-1T	100:1	820	9.50	3.0	500V AC	7.0
SEEM4.4-125T-1T	125:1	1280	13.0	3.0	500V AC	7.0
SEEM4.4-150T-1T	150:1	1800	21.0	3.0	500V AC	7.0

Note:

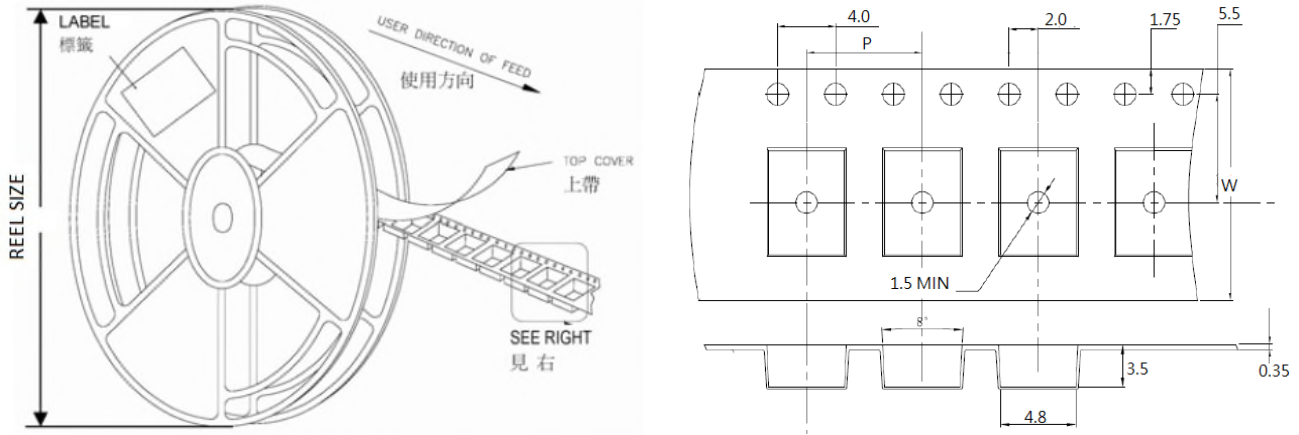
- Primary current: DC current that will causes less than 40°C temperature rise from 25°C ambient. Higher current causes a greater temperature rise.
- Operating temperature : -40~+125°C.
- Frequency range : SEEM4.4 @50KHz TO 1MHz

### 2. Temperature Rise vs Current Curve





## ■ REEL DIMENSIONS AND PACKAGING QUANTITY



Unit: mm

TYPE	W	P	REEL SIZE	PCS / REEL
SEEM4.4	12	8	330 mm (13")	2000