



INDEX

SHAPES AND DIMENSIONS..... 1

PART NUMBER CODE 2

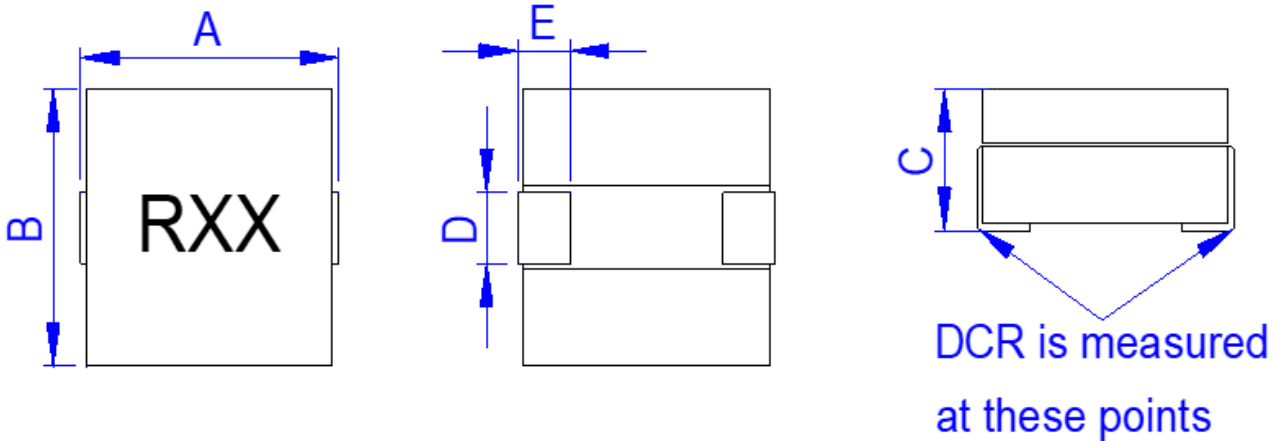
ELECTRICAL CHARACTERISTICS 3

REEL DIMENSIONS AND PACKAGING QUANTITY 4



SMT Power Inductor SIH131305-R15 series

■ SHAPES AND DIMENSIONS

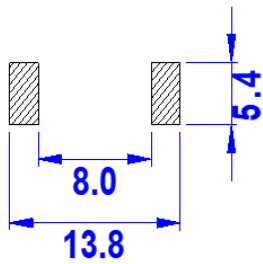


Unit: mm

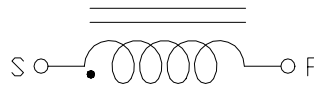
P/N	A max	B max	C	D	E
SIH131305-R15	13.5	13.2	5.0 ± 0.5	5.0 ± 0.2	2.0 ± 0.2

Marking : XXX = Inductance

Recommend PAD Layout



Equivalent circuit





■ PART NUMBER CODE

SIH 131305 - R10 M A - R15
1 **2** **3** **4** **5** **6**

1. Series Name
2. Size Code
3. Inductance(R=Decimal Point) Unit : nH ; R10 = 0.1uH = 100nH
4. Inductance tolerance: "M"±20%
5. Soldering : A=Lead Free
6. Special code



■ ELECTRICAL CHARACTERISTICS

1. Part Number and Characteristics Table

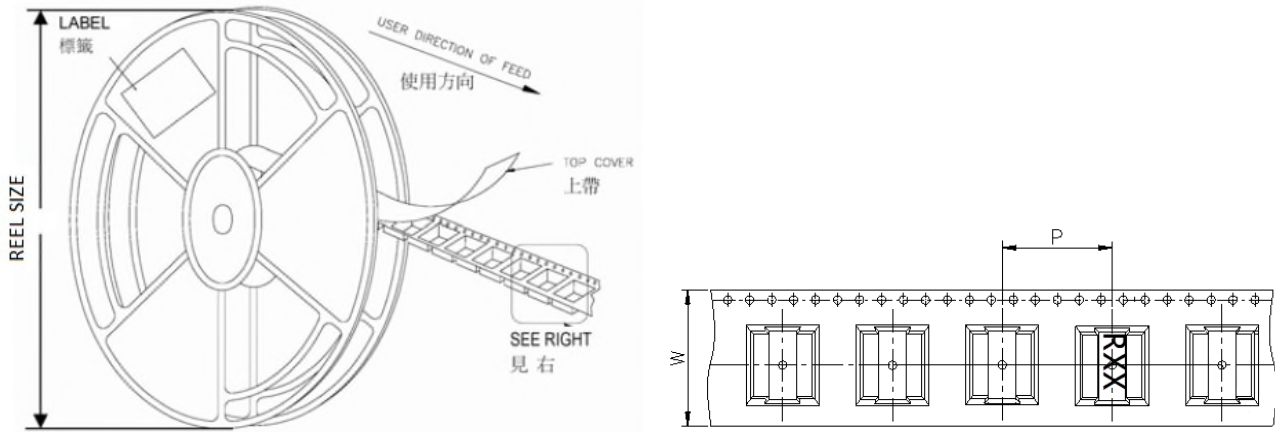
Part number	Initial Inductance (nH)	Tolerance (±%)	DCR (mΩ)	1-Saturation Current @25°C (Amps)(typ)	2-Saturation Current @125°C (Amps)(typ)	Temperature Rise Current (Amps)(typ)
SIH131305-R10MA-R15	100.0	20	0.155± 10%	70	60	50
SIH131305-R22MA-R15	220.0	20	0.155± 10%	40	35	50
SIH131305-R28MA-R15	280.0	20	0.155± 10%	30	18	50
SIH131305-R31MA-R15	310.0	20	0.155± 10%	24	15	50
SIH131305-R40MA-R15	400.0	20	0.155± 10%	18	13	50
SIH131305-R52MA-R15	520.0	20	0.155± 10%	13	9	50

Note:

- Initial Inductance: Testing at 100 KHz / 1.0 Vrms.
- Saturation Current: DC current that will cause initial Inductance to drop approximately 20%.
- Temperature Rise Current: DC current that will cause an approximate ΔT of 40°C.
- All test data is referenced to 25°C ambient. 2-Saturation Current test data is referenced to 125°C ambient.
- Operating temperature : -40~+125°C (Including self - temperature rise).



■ REEL DIMENSIONS AND PACKAGING QUANTITY



Unit: mm

TYPE	W	P	REEL SIZE	PCS / REEL
SIH131305-R15	24	20	330 mm (13")	500