



INDEX

SHAPES AND DIMENSIONS..... 1

PART NUMBER CODE 2

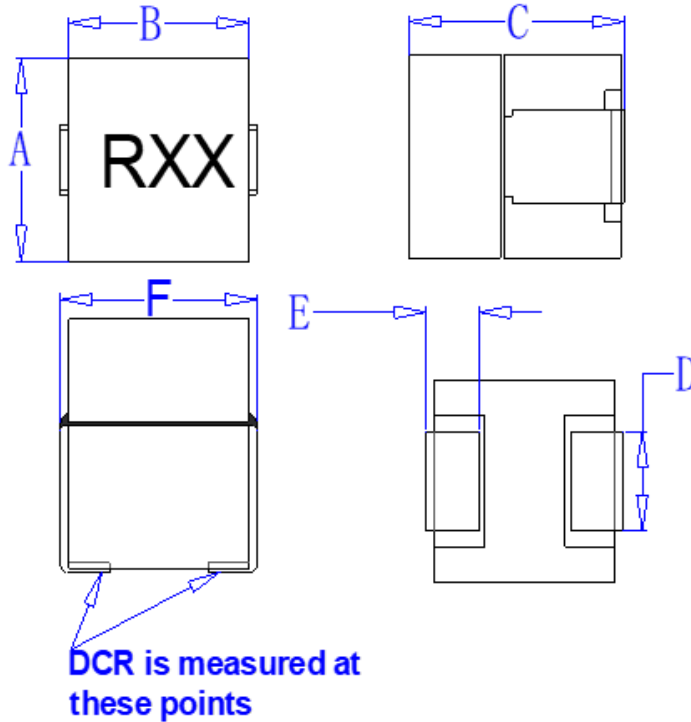
ELECTRICAL CHARACTERISTICS 3

REEL DIMENSIONS AND PACKAGING QUANTITY 4



SMT Power Inductor SIC060675-R23 series

■ SHAPES AND DIMENSIONS

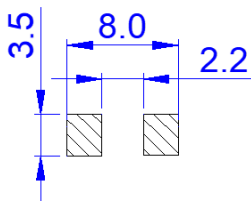


Unit: mm

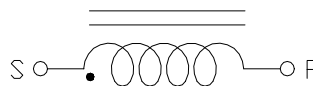
P/N	A	B	C	D	E	F
SIC060675-R23	5.7 ± 0.5	5.7 ± 0.5	7.5 ± 0.5	3.0 ± 0.2	1.7 ± 0.5	7.0 ± 0.5

Marking : XXX = Inductance

Recommend PAD Layout



Equivalent circuit





■ PART NUMBER CODE

SIC 060675 - R10 M A - R23
1 **2** **3** **4** **5** **6**

1. Series Name
2. Size Code
3. Inductance(R=Decimal Point) Unit : nH ; R10 = 0.1uH = 100nH
4. Inductance tolerance: "M"±20%.
5. Soldering : A=Lead Free
6. Special code



■ ELECTRICAL CHARACTERISTICS

1. Part Number and Characteristics Table

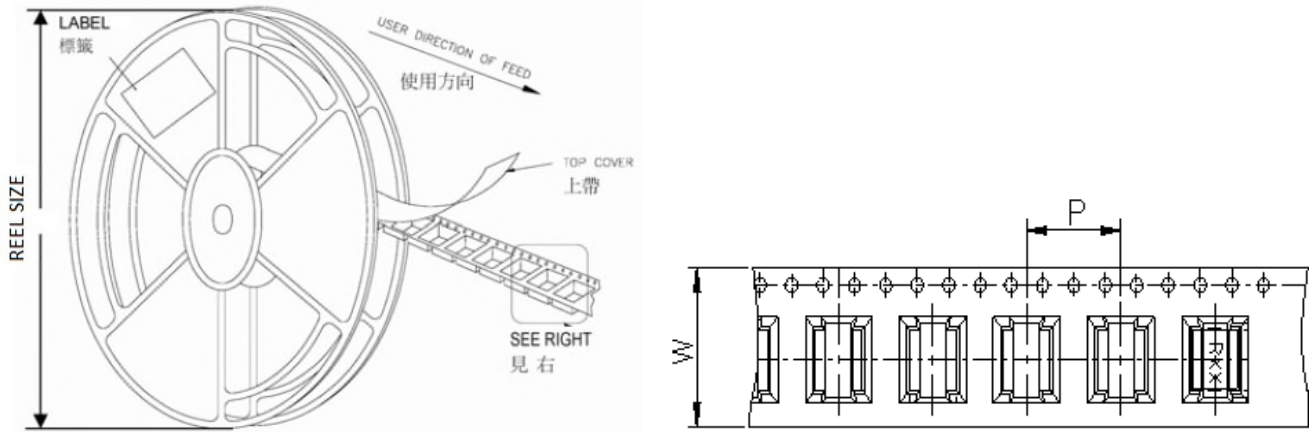
Part number	Initial Inductance (nH)	Tolerance (±%)	DCR (mΩ)	1-Saturation Current @25°C (Amps)(typ)	Temperature Rise Current (Amps)(typ)
SIC060675-R10MA-R23	100.0	20	0.23± 7%	40	35
SIC060675-R12MA-R23	120.0	20	0.23± 7%	38	35
SIC060675-R15MA-R23	150.0	20	0.23± 7%	25	35
SIC060675-R20MA-R23	200.0	20	0.23± 7%	22	35
SIC060675-R22MA-R23	220.0	20	0.23± 7%	16	35

Note:

- Initial Inductance: Testing at 100 KHz / 1.0 Vrms.
- Saturation Current: DC current that will cause initial Inductance to drop approximately 20%.
- Temperature Rise Current: DC current that will cause an approximate ΔT of 40°C.
- All test data is referenced to 25°C ambient.
- Operating temperature : -40~+125°C (Including self - temperature rise).



■ REEL DIMENSIONS AND PACKAGING QUANTITY



Unit: mm

TYPE	W	P	REEL SIZE	PCS / REEL
SIC060675-R23	16	12	330 mm (13")	700