



INDEX

SHAPES AND DIMENSIONS..... 1

PART NUMBER CODE 2

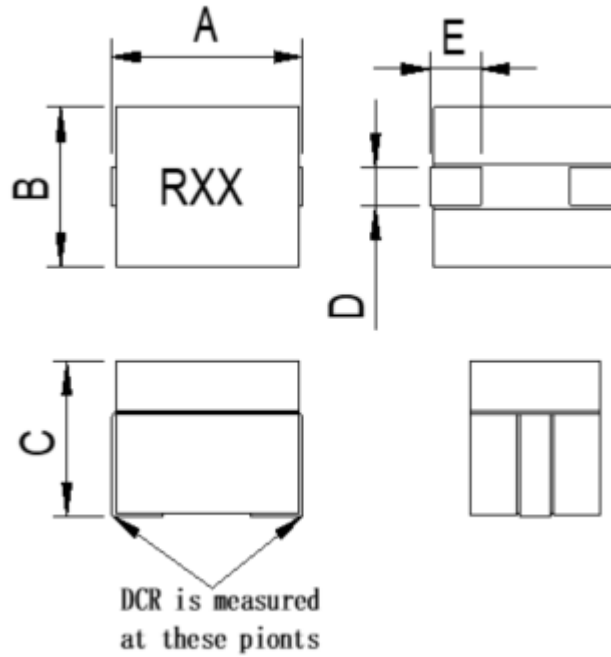
ELECTRICAL CHARACTERISTICS 3

REEL DIMENSIONS AND PACKAGING QUANTITY 4



SMT Power Inductor SIH1075-R29 Series

■ SHAPES AND DIMENSIONS

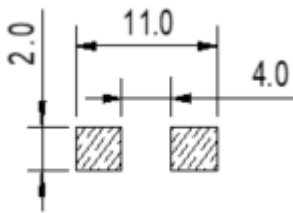


Unit: mm

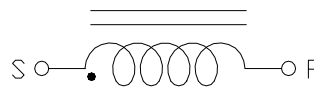
P/N	A	B	C	D	E
SIH1075-R29 Series	10.3±0.5	7.0±0.5	7.2±0.5	1.7±0.2	2.7±0.5

Marking : XXX = Inductance

Recommend PAD Layout



Equivalent circuit





■ PART NUMBER CODE

SIH 1075 - R10 M A - R29
1 2 3 4 5 6

1. Series Name
2. Size Code
3. Inductance(R=Decimal Point) Unit : nH ; R10 = 0.1uH = 100nH
4. Inductance tolerance: "L"±15%; "M"±20%.
5. Soldering : A=Lead Free
6. Special code



■ ELECTRICAL CHARACTERISTICS

1. Part Number and Characteristics Table

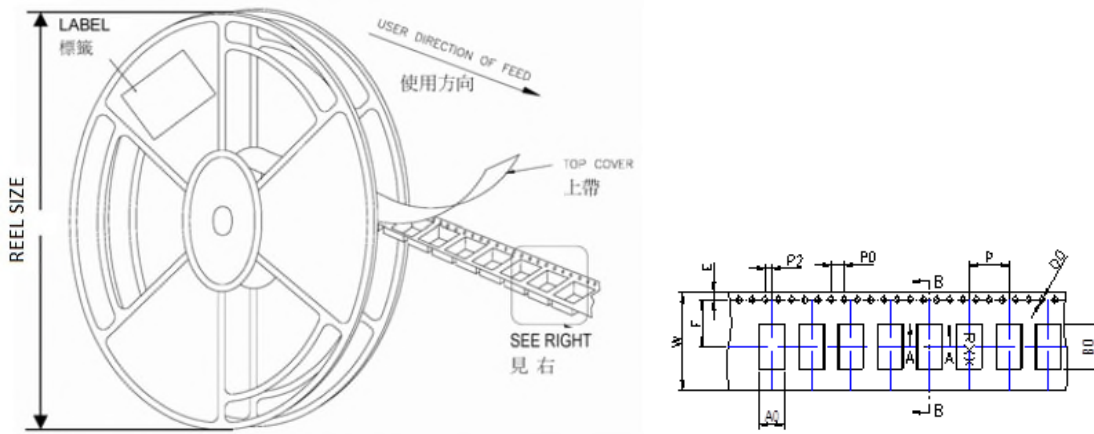
Part number	Initial Inductance (nH)	Tolerance (±%)	DCR (mΩ)	1-Saturation Current @25°C (Amps)(typ)	2-Saturation Current @100°C (Amps)(typ)	Temperature Rise Current (Amps)(typ)
SIH1075-R10LA-R29	100	15	0.29±5%	100	85	55
SIH1075-R12LA-R29	120	15	0.29±5%	90	72	55
SIH1075-R15LA-R29	150	15	0.29±5%	70	56	55
SIH1075-R17LA-R29	170	15	0.29±5%	66	54	55
SIH1075-R18LA-R29	180	15	0.29±5%	63	52	55
SIH1075-R20LA-R29	200	15	0.29±5%	50	42	55
SIH1075-R22LA-R29	220	15	0.29±5%	46	37	55
SIH1075-R23LA-R29	230	15	0.29±5%	44	35	55
SIH1075-R27LA-R29	270	15	0.29±5%	40	31	55
SIH1075-R30MA-R29	300	20	0.29±5%	35	28	55
SIH1075-R40MA-R29	400	20	0.29±5%	25	20	55
SIH1075-R51MA-R29	510	20	0.29±5%	18	14.5	55

Note:

- Initial Inductance: Testing at 100 KHz / 1.0 Vrms.
- Saturation Current: DC current that will cause initial Inductance to drop approximately 20%.
- Temperature Rise Current: DC current that will cause an approximate ΔT of 40°C.
- All test data is referenced to 25°C ambient.
- Operating temperature : -40~+125°C (Including self - temperature rise).



■ REEL DIMENSIONS AND PACKAGING QUANTITY



Unit: mm

TYPE	W	P	REEL SIZE	PCS / REEL
SIH1075-R29	24	12	330 mm (13")	640