



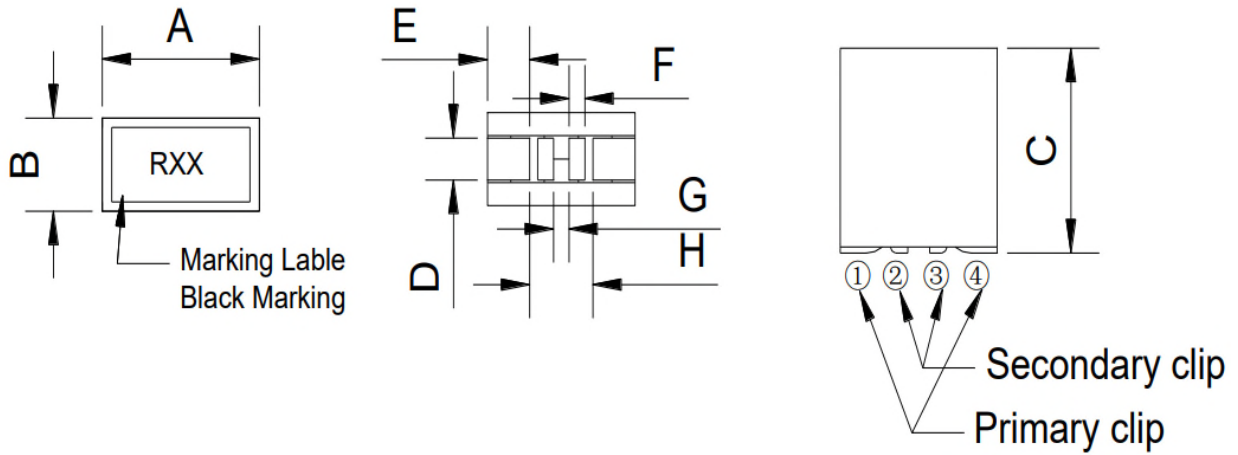
INDEX

SHAPES AND DIMENSIONS.....	1
PART NUMBER CODE	2
ELECTRICAL CHARACTERISTICS	3
REEL DIMENSIONS AND PACKAGING QUANTITY	4



SMT TLVR Power Inductor SITL100512-S1 Series

■ SHAPES AND DIMENSIONS

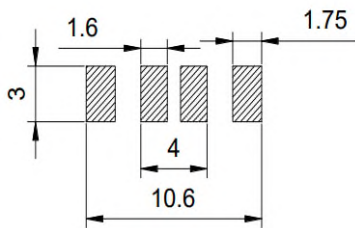


Unit: mm

P/N	A max	B max	C max	D	E	F	G	H
SITL100512-S1	10.0	5.0	12.0	2.5±0.5	2.5±0.5	1.1±0.5	1.5 Ref	4.9 Ref

Marking : XXX = Inductance

Recommend PAD Layout



Equivalent circuit





■ PART NUMBER CODE

SITL 100512 - R12 L A - S1
1 2 3 4 5 6

1. Series Name
2. Size Code
3. Inductance(R=Decimal Point) Unit : μH ; R12 =0.12uH
4. Inductance tolerance: "L" \pm 15%.
5. Soldering : A=Lead Free
6. Special code



■ ELECTRICAL CHARACTERISTICS

1. Part Number and Characteristics Table

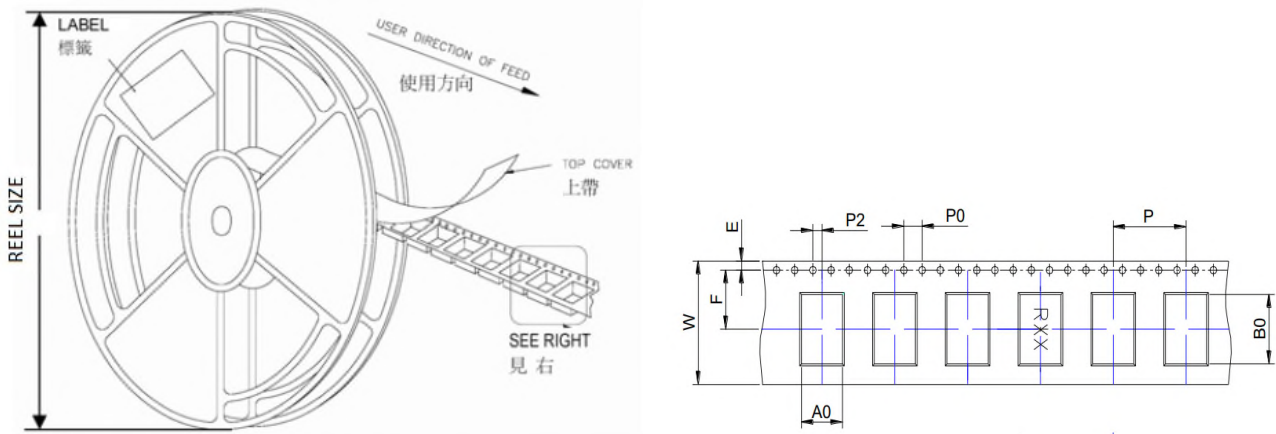
Part number	Initial Inductance (nH)	Tolerance (±%)	DCR (primary clip) (mΩ)	DCR (secondary clip) (mΩ)	Isat-1 @25°C (Amps) (typ)	Isat-2 @100°C (Amps) (typ)	Heating Current (Amps) (typ)	
							primary	secondary
SITL100512-R07LA-S1	70	15	0.125±10%	0.45±10%	127	110	75	40
SITL100512-R08LA-S1	80	15	0.125±10%	0.45±10%	111	96	75	40
SITL100512-R09LA-S1	90	15	0.125±10%	0.45±10%	98	85	75	40
SITL100512-R10LA-S1	100	15	0.125±10%	0.45±10%	89	77	75	40
SITL100512-R12LA-S1	120	15	0.125±10%	0.45±10%	74	64	75	40
SITL100512-R15LA-S1	150	15	0.125±10%	0.45±10%	59	51	75	40
SITL100512-R17LA-S1	170	15	0.125±10%	0.45±10%	52	45	75	40

Note:

- Initial Inductance: Testing at 100 KHz / 1.0 Vrms.
- Saturation Current (Isat): DC current that will cause initial Inductance to drop approximately 20%.
- Heating Current: DC current that will cause an approximate ΔT of 40°C.
- All test data is referenced to 25°C ambient.
- Isat-2 test data is referenced to 100°C ambient.
- Operating temperature : -40~+125°C (Including self - temperature rise).



REEL DIMENSIONS AND PACKAGING QUANTITY



Unit: mm

TYPE	W	P	REEL SIZE	PCS / REEL
SITL100512-S1	24	16	330 mm (13")	300