



INDEX

SHAPES AND DIMENSIONS..... 1

PART NUMBER CODE 2

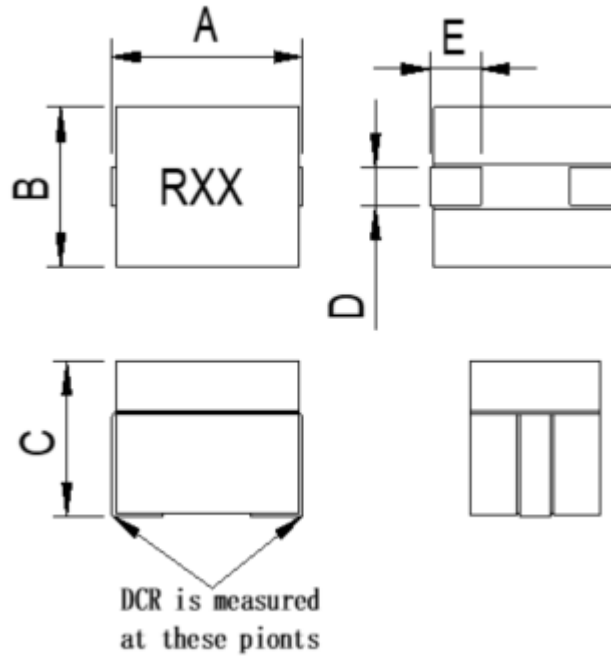
ELECTRICAL CHARACTERISTICS 3

REEL DIMENSIONS AND PACKAGING QUANTITY 4



SMT Power Inductor SIH1075-R47 Series

■ SHAPES AND DIMENSIONS

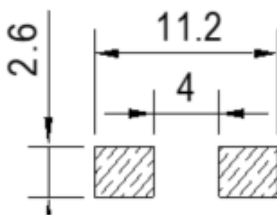


Unit: mm

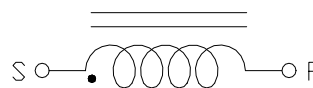
P/N	A max	B	C	D	E
SIH1075-R47 Series	11.0	7.0±0.5	7.0±0.5	1.6±0.3	2.6±0.5

Marking : XXX = Inductance

Recommend PAD Layout



Equivalent circuit





■ PART NUMBER CODE

SIH 1075 - R12 M A - R47
1 2 3 4 5 6

1. Series Name
2. Size Code
3. Inductance(R=Decimal Point) Unit : nH ; R12 = 0.12uH = 120nH
4. Inductance tolerance: "L"±15%; "M"±20%.
5. Soldering : A=Lead Free
6. Special code



■ ELECTRICAL CHARACTERISTICS

1. Part Number and Characteristics Table

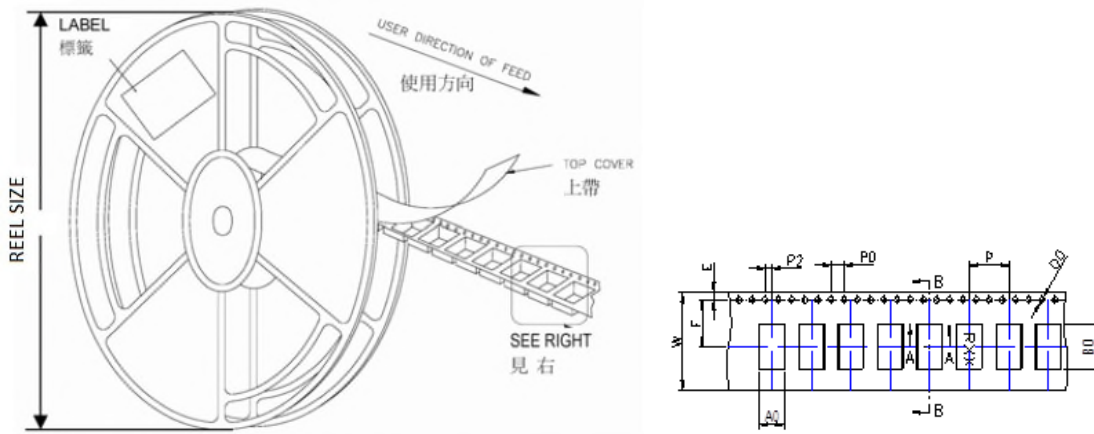
Part number	Initial Inductance (nH)	Tolerance (±%)	DCR (mΩ)	1-Saturation Current @25°C (Amps)(typ)	2-Saturation Current @100°C (Amps)(typ)	Temperature Rise Current (Amps)(typ)
SIH1075-R12LA-R47	120	15	0.47±10%	90	72	40
SIH1075-R15LA-R47	150	15	0.47±10%	70	56	40
SIH1075-R20LA-R47	200	15	0.47±10%	50	44	40
SIH1075-R22LA-R47	220	15	0.47±10%	47	41	40
SIH1075-R23LA-R47	230	15	0.47±10%	45	36	40
SIH1075-R25LA-R47	250	15	0.47±10%	40	31	40
SIH1075-R30LA-R47	300	15	0.47±10%	35	28	40
SIH1075-R40MA-R47	400	20	0.47±10%	25	20	40
SIH1075-R51MA-R47	510	20	0.47±10%	18	14.5	40

Note:

- Initial Inductance: Testing at 100 KHz / 1.0 Vrms.
- Saturation Current: DC current that will cause initial Inductance to drop approximately 20%.
- Temperature Rise Current: DC current that will cause an approximate ΔT of 40°C.
- All test data is referenced to 25°C ambient.
- Operating temperature : -40~+125°C (Including self - temperature rise).



■ REEL DIMENSIONS AND PACKAGING QUANTITY



Unit: mm

TYPE	W	P	REEL SIZE	PCS / REEL
SIH1075-R47	24	12	330 mm (13")	640