



INDEX

SHAPES AND DIMENSIONS..... 1

PART NUMBER CODE 2

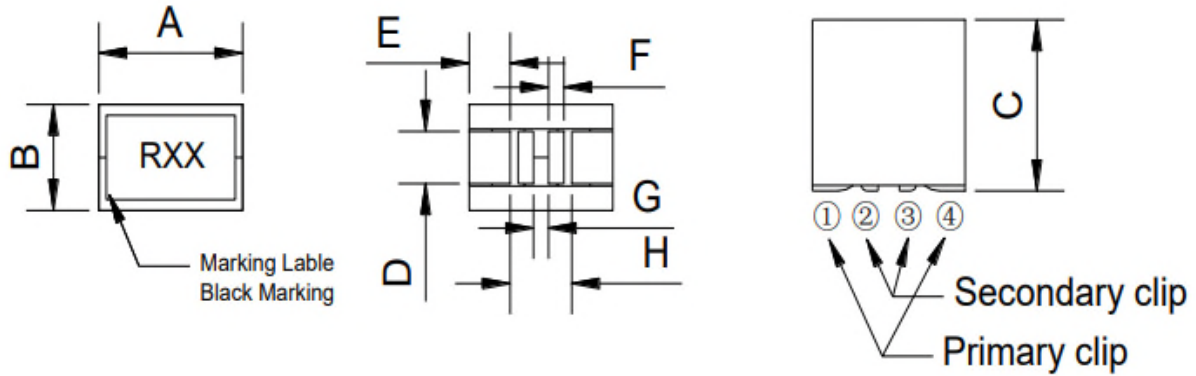
ELECTRICAL CHARACTERISTICS 3

REEL DIMENSIONS AND PACKAGING QUANTITY 4



SMT TLVR Power Inductor SITL966411-S1 Series

■ SHAPES AND DIMENSIONS

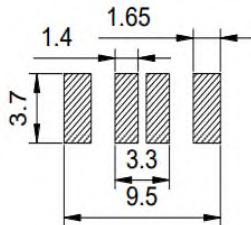


Unit: mm

P/N	A max	B max	C max	D	E	F	G	H
SITL966411-S1	9.6	6.4	10.5	3.2±0.5	2.1±0.5	1.1±0.5	1.8 Ref	4.8 Ref

Marking : XXX = Inductance

Recommend PAD Layout



Equivalent circuit





■ PART NUMBER CODE

SITL 966411 - R12 L A - S1
1 2 3 4 5 6

1. Series Name
2. Size Code
3. Inductance(R=Decimal Point) Unit : μH ; R12 =0.12uH
4. Inductance tolerance: "L" $\pm 15\%$.
5. Soldering : A=Lead Free
6. Special code



■ ELECTRICAL CHARACTERISTICS

1. Part Number and Characteristics Table

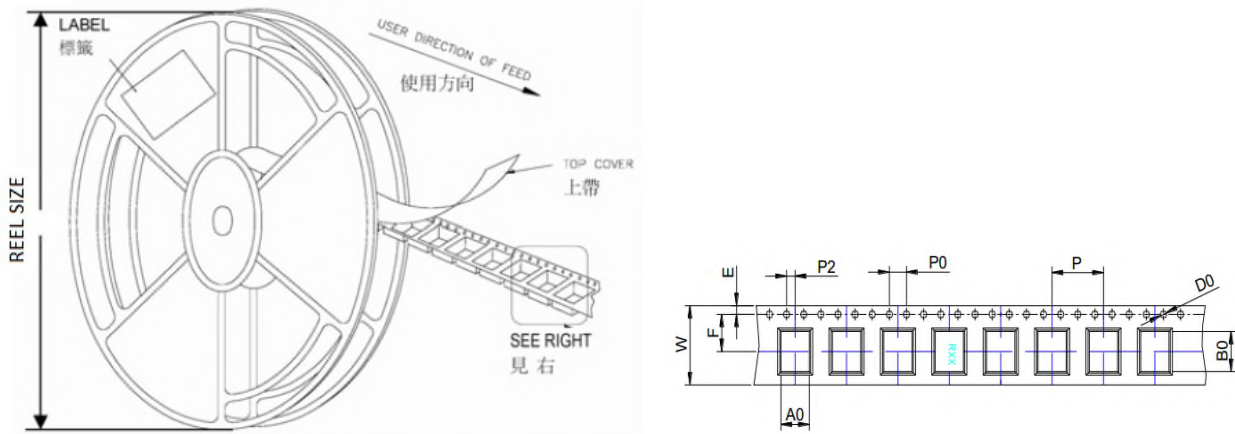
Part number	Initial Inductance (nH)	Tolerance (±%)	DCR (primary clip) (mΩ)	DCR (secondary clip) (mΩ)	Isat-1 @25°C (Amps) (typ)	Isat-2 @100°C (Amps) (typ)	Heating Current (Amps) (typ)	
							primary	secondary
SITL966411-R10LA-S1	100	15	0.125±10%	0.33±10%	98	83	75	40
SITL966411-R12LA-S1	120	15	0.125±10%	0.33±10%	79	67	75	40
SITL966411-R15LA-S1	150	15	0.125±10%	0.33±10%	62	53	75	40
SITL966411-R18LA-S1	180	15	0.125±10%	0.33±10%	54	46	75	40
SITL966411-R22LA-S1	220	15	0.125±10%	0.33±10%	40	35	75	40

Note:

- Initial Inductance: Testing at 100 KHz / 1.0 Vrms.
- Saturation Current (Isat): DC current that will cause initial Inductance to drop approximately 20%.
- Heating Current: DC current that will cause an approximate ΔT of 40°C.
- All test data is referenced to 25°C ambient.
- Isat-2 test data is referenced to 100°C ambient.
- Operating temperature : -40~+125°C (Including self - temperature rise).



■ REEL DIMENSIONS AND PACKAGING QUANTITY



Unit: mm

TYPE	W	P	REEL SIZE	PCS / REEL
SITL966411-S1	24	12	330 mm (13")	500