



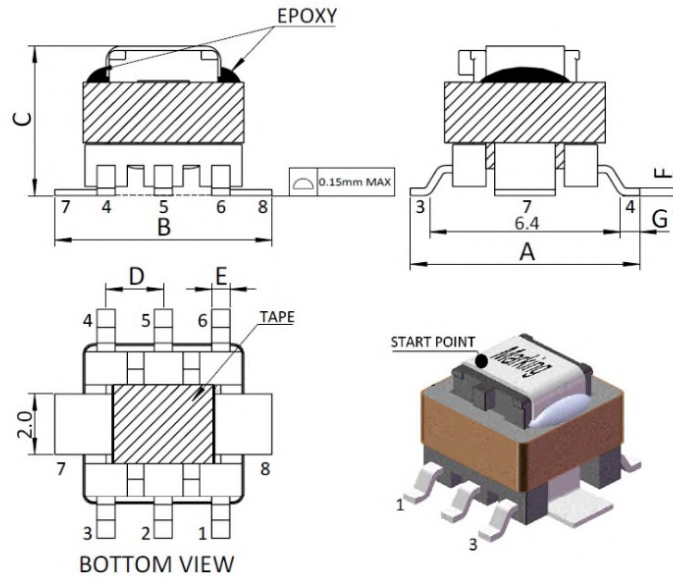
INDEX

SHAPES AND DIMENSIONS.....	1
PART NUMBER CODE	2
ELECTRICAL CHARACTERISTICS	3
REEL DIMENSIONS AND PACKAGING QUANTITY	4



SMT Current Sense Transformer AEC-Q200 standard compliance SEEM5.0 Series

■ SHAPES AND DIMENSIONS

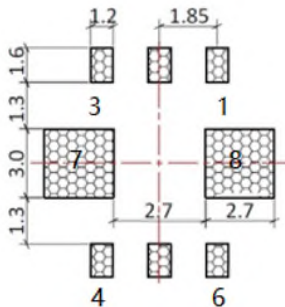


Unit: mm

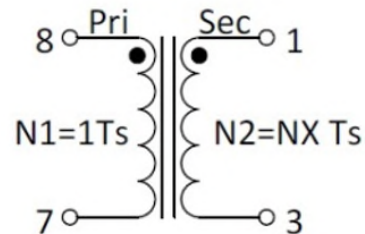
P/N	A max	B max	C max	D	E	F	G
SEEM5.0	8.38	8.00	5.5	1.85±0.3	0.6±0.1	0.25±0.2	0.7±0.2

Marking : XXX = Secondary Turn

Recommend PAD Layout



Equivalent circuit





■ PART NUMBER CODE

SEEM 5.0 - 50T - 1T
1 2 3 4

1. Series Name
2. Size Code
3. Secondary Turn: 50Ts:
4. Primary Turn: 1Ts.



■ ELECTRICAL CHARACTERISTICS

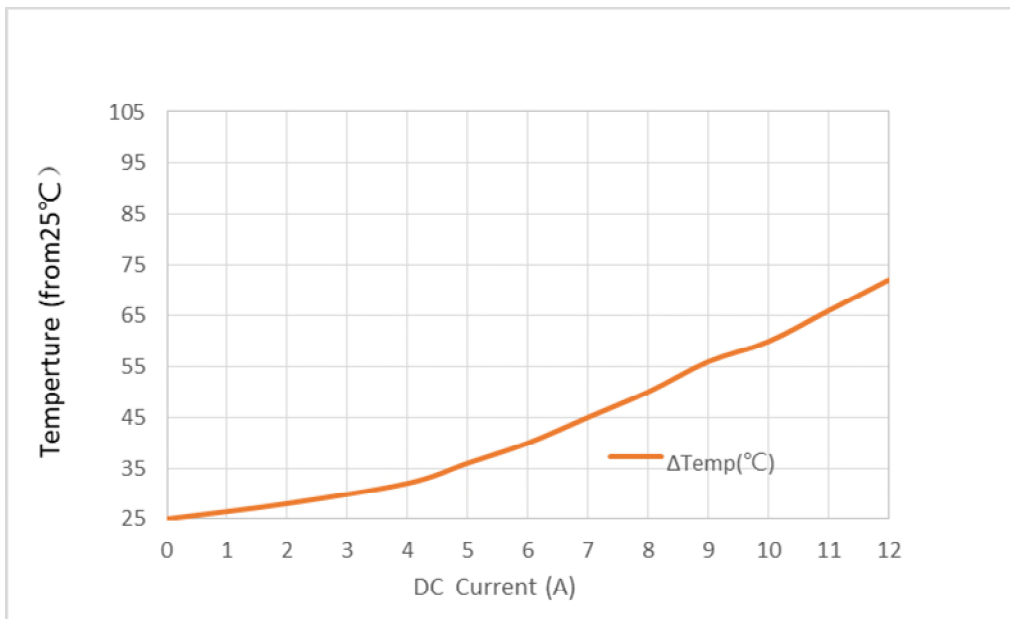
1. Part Number and Characteristics Table

Part No.	Turns ratio Sec: Pri	Secondary Inductance @100KHz 0.1V (uH)MIN	DCR		Hi-pot Pri-Sec @3mA 3S 50Hz	Primary Current(A) (Max)
			Sec MAX (Ω)	Pri REF (mΩ)		
SEEM5.0-20T-1T	20:1	80	0.40	0.70	500V AC	10
SEEM5.0-30T-1T	30:1	180	0.87	0.70	500V AC	10
SEEM5.0-40T-1T	40:1	320	1.14	0.70	500V AC	10
SEEM5.0-50T-1T	50:1	500	1.85	0.70	500V AC	10
SEEM5.0-60T-1T	60:1	730	2.30	0.70	500V AC	10
SEEM5.0-70T-1T	70:1	980	4.75	0.70	500V AC	10
SEEM5.0-100T-1T	100:1	2000	5.50	0.70	500V AC	10
SEEM5.0-125T-1T	125:1	3000	11.50	0.70	500V AC	10

Note:

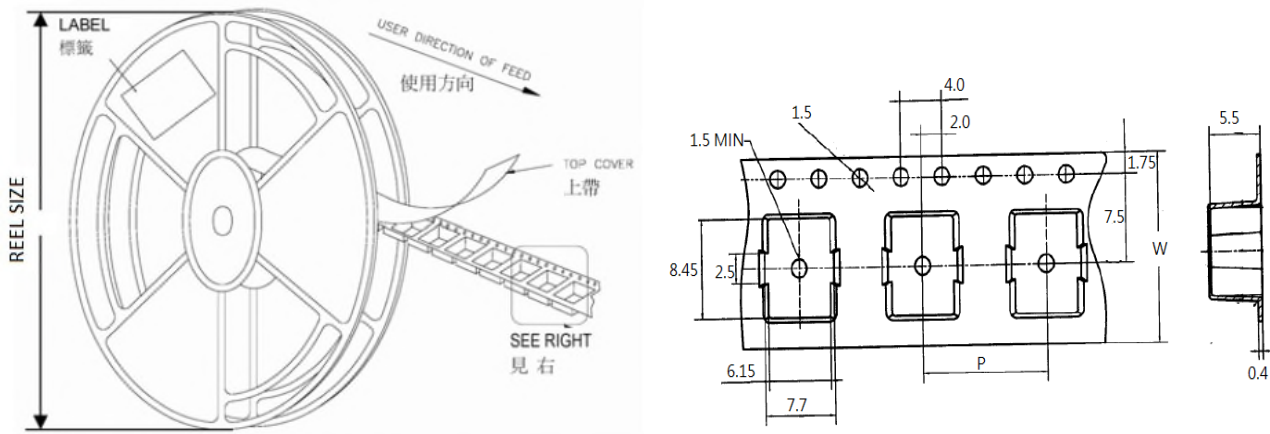
- Primary current: DC current that will causes less than 40°C temperature rise from 25°C ambient. Higher current causes a greater temperature rise.
- Operating temperature : -40~+125°C.
- Frequency range : SEEM5.0 @50KHz TO 1MHz

2. Temperature Rise vs Current Curve





REEL DIMENSIONS AND PACKAGING QUANTITY



Unit: mm

TYPE	W	P	REEL SIZE	PCS / REEL
SEEM5.0	16	12	330 mm (13")	1000