



INDEX

SHAPES AND DIMENSIONS..... 1

PART NUMBER CODE 2

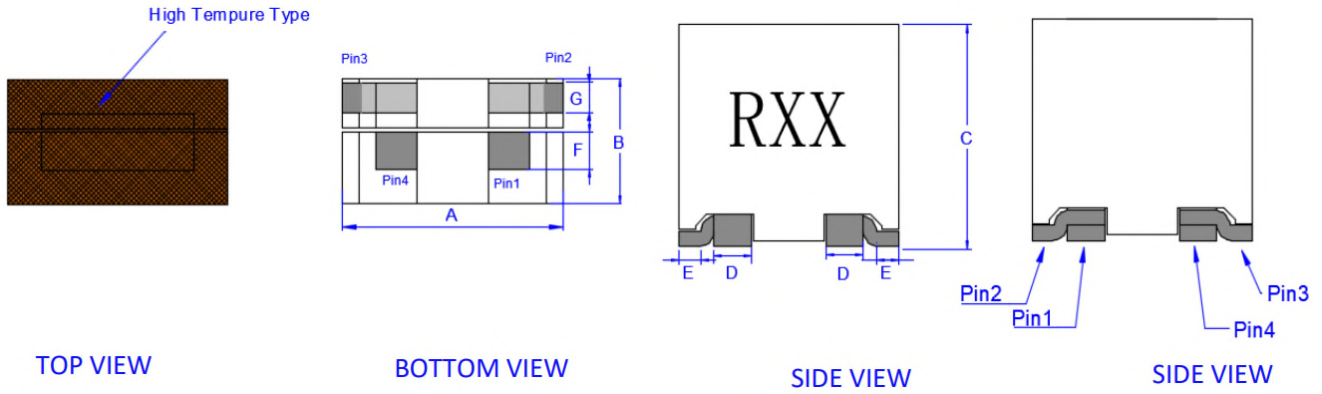
ELECTRICAL CHARACTERISTICS 3

REEL DIMENSIONS AND PACKAGING QUANTITY 4



SMT TLVR Power Inductor SITL126512-S1 Series

SHAPES AND DIMENSIONS

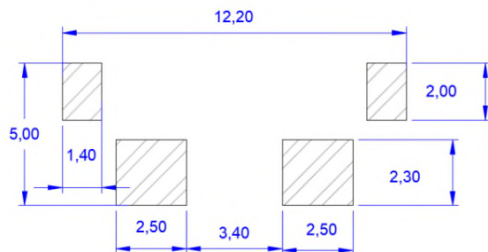


Unit: mm

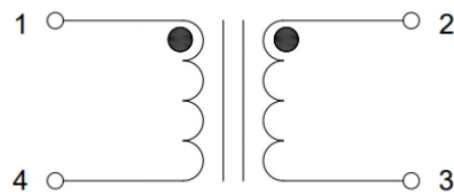
P/N	A	B	C	D	E	F	G
SITL126512-S1	11.8±0.5	6.8±0.5	11.8±0.5	2.2±0.3	0.98±0.3	2.0±0.3	1.6±0.2

Marking : RXX = Inductance

Recommend PAD Layout



Equivalent circuit





■ PART NUMBER CODE

SITL 126512 - R12 L A - S1
1 2 3 4 5 6

1. Series Name
2. Size Code
3. Inductance(R=Decimal Point) Unit : μH ; R12 =0.12uH
4. Inductance tolerance: "L" \pm 15%.
5. Soldering : A=Lead Free
6. Special code



■ ELECTRICAL CHARACTERISTICS

1. Part Number and Characteristics Table

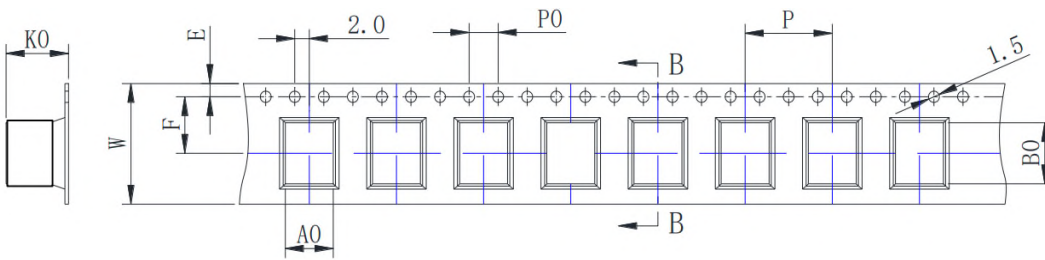
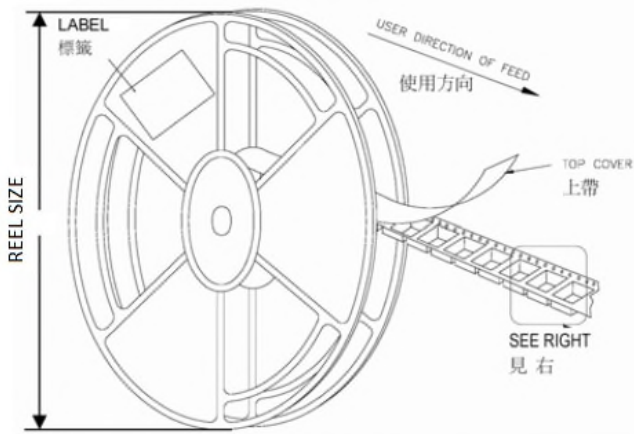
Part number	Initial Inductance (nH) Pin 1-4 & 2-3	DCR (mΩ) ±10%		Saturation Current (Amps)		Heating Current (Amps)	
		Pin 1-4	Pin 2-3	@25°C	@100°C	Pin 1-4	Pin 2-3
SITL126512-70NLA-S1	70 ±15%	0.115	0.32	120+	120+	75	60
SITL126512-R10LA-S1	100 ±15%	0.115	0.32	120+	115	75	60
SITL126512-R12LA-S1	120 ±15%	0.115	0.32	120	96	75	60
SITL126512-R15LA-S1	150 ±15%	0.115	0.32	105	85	75	60
SITL126512-R18LA-S1	180 ±15%	0.115	0.32	80	70	75	60
SITL126512-R20LA-S1	200 ±15%	0.115	0.32	70	62	75	60

Note:

- Initial Inductance: Testing at 100 KHz / 1 Vrms.
- Saturation Current (Isat): DC current that will cause initial Inductance to drop approximately 20%.
- Heating Current: DC current that will cause an approximate ΔT of 40°C.
- All test data is referenced to 25°C ambient.
- Operating temperature : -40~+125°C (Including self - temperature rise).



■ REEL DIMENSIONS AND PACKAGING QUANTITY



Unit: mm

TYPE	W	P	REEL SIZE	PCS / REEL
SITL126512-S1	24	12	330 mm (13")	400