



INDEX

SHAPES AND DIMENSIONS..... 1

PART NUMBER CODE 2

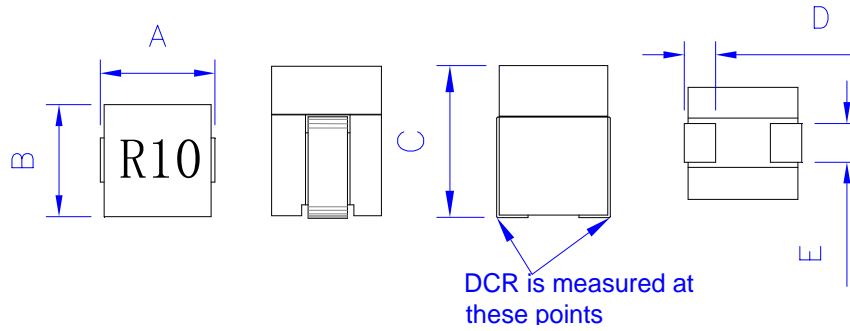
ELECTRICAL CHARACTERISTICS 3

REEL DIMENSIONS AND PACKAGING QUANTITY 4



SMT Power Inductor SIH040404-R30 Series

■ SHAPES AND DIMENSIONS

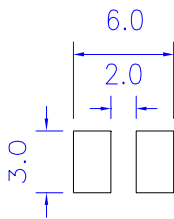


Unit: mm

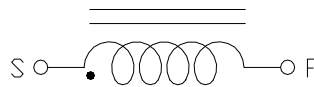
P/N	A max	B max	C max	D	E
SIH040404-R30	4.5	4.5	4.5	1.2±0.3	1.5±0.3

Marking : XXX = Inductance

Recommend PAD Layout



Equivalent circuit





■ PART NUMBER CODE

SIH 040404 - 65N L A - R30
1 2 3 4 5 6

1. Series Name
2. Size Code
3. Inductance(R=Decimal Point) Unit : nH ; 65N = 65nH
4. Inductance tolerance: "L"±15%; "M"±20%.
5. Soldering : A=Lead Free
6. Special code



■ ELECTRICAL CHARACTERISTICS

1. Part Number and Characteristics Table

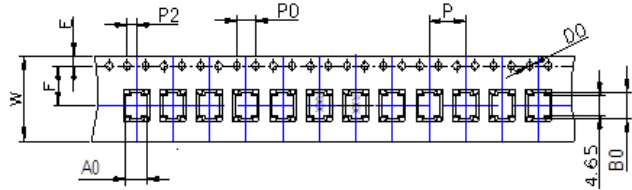
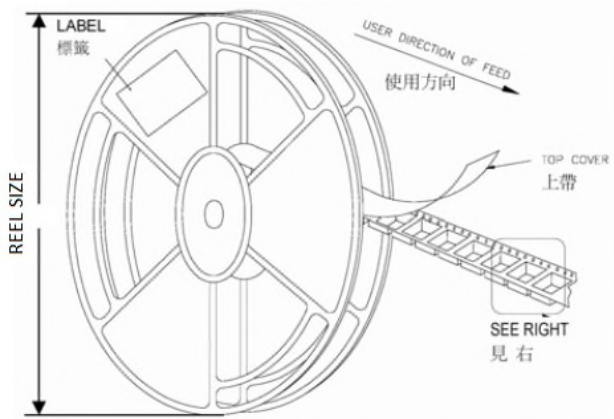
Part number	Initial Inductance (nH)	Tolerance (±%)	DCR (mΩ)	1-Saturation Current @25°C (Amps)(typ)	Temperature Rise Current (Amps)(typ)
SIH040404-65NLA-R30	65	15	0.30±10%	24	19
SIH040404-R10MA-R30	100	20	0.30±10%	16	19

Note:

- Initial Inductance: Testing at 100 KHz / 1.0 Vrms.
- Saturation Current: DC current that will cause initial Inductance to drop approximately 20%.
- Temperature Rise Current: DC current that will cause an approximate ΔT of 40°C.
- All test data is referenced to 25°C ambient.
- Operating temperature : -40~+125°C (Including self - temperature rise).



■ REEL DIMENSIONS AND PACKAGING QUANTITY



Unit: mm

TYPE	W	P	REEL SIZE	PCS / REEL
SIH040404-R30	12	8	330 mm (13")	1200