



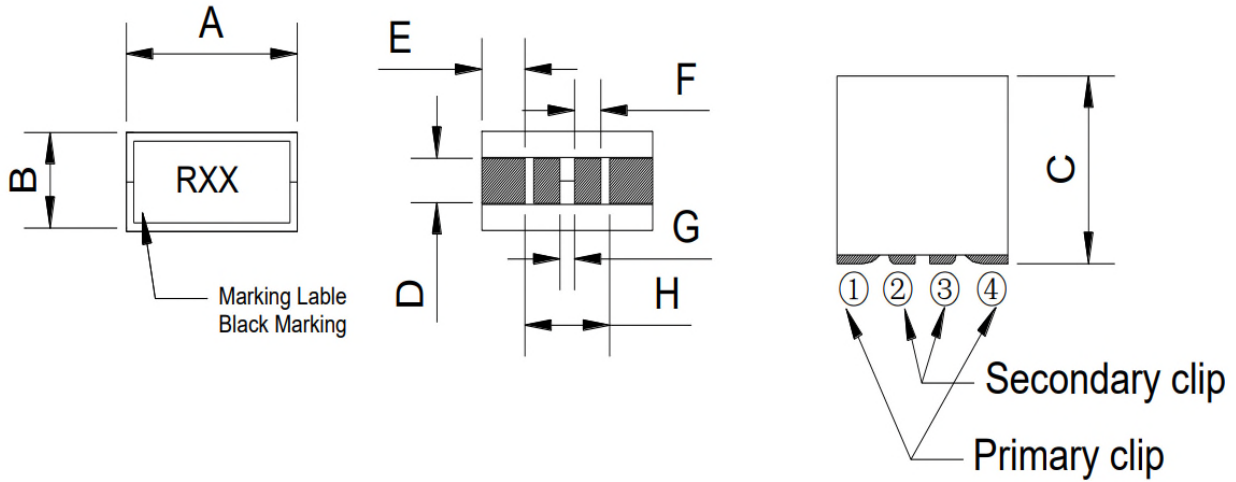
INDEX

SHAPES AND DIMENSIONS.....	1
PART NUMBER CODE	2
ELECTRICAL CHARACTERISTICS	3
REEL DIMENSIONS AND PACKAGING QUANTITY	4



SMT TLVR Power Inductor SITL120611-S1 Series

■ SHAPES AND DIMENSIONS

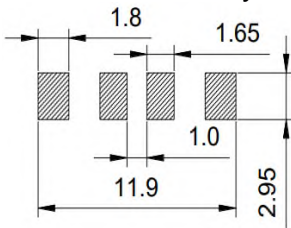


Unit: mm

P/N	A max	B max	C	D	E	F	G	H
SITL120611-S1	12.0	6.0	11.0±0.2	2.45±0.3	2.6±0.5	1.6±0.3	1.5 Ref	6.0 Ref

Marking : XXX = Inductance

Recommend PAD Layout



Equivalent circuit





■ PART NUMBER CODE

SITL 120611 - R12 L A - S1
1 2 3 4 5 6

1. Series Name
2. Size Code
3. Inductance(R=Decimal Point) Unit : μH ; R12 =0.12uH
4. Inductance tolerance: "L" \pm 15%.
5. Soldering : A=Lead Free
6. Special code



■ ELECTRICAL CHARACTERISTICS

1. Part Number and Characteristics Table

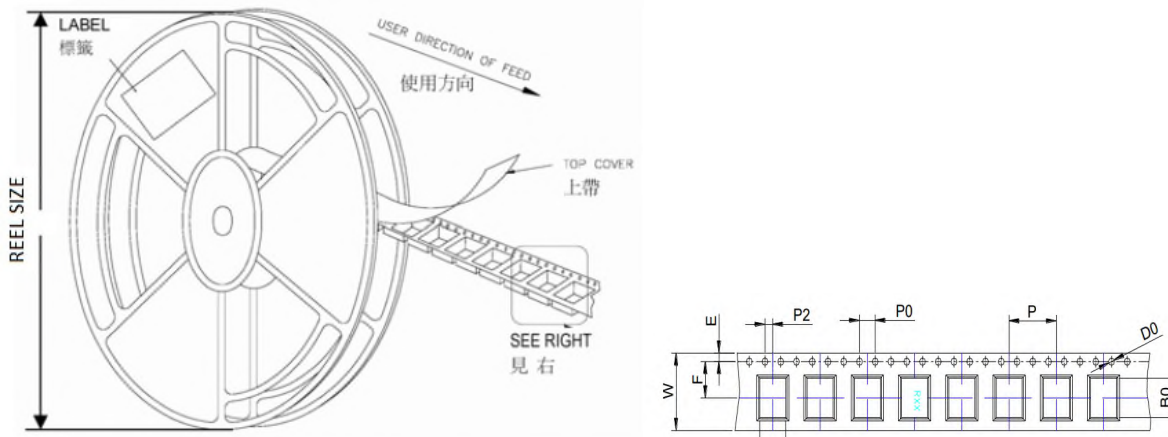
Part number	Initial Inductance (nH)	Tolerance (±%)	DCR (primary clip) (mΩ)	DCR (secondary clip) (mΩ)	Isat-1 @25°C (Amps) (typ)	Isat-2 @100°C (Amps) (typ)	Heating Current (Amps) (typ)	
							primary	secondary
SITL120611-R07LA-S1	70	15	0.125±10%	0.37±10%	160	140	77	45
SITL120611-R08LA-S1	80	15	0.125±10%	0.37±10%	150	120	77	45
SITL120611-R09LA-S1	90	15	0.125±10%	0.37±10%	135	115	77	45
SITL120611-R105LA-S1	105	15	0.125±10%	0.37±10%	125	106	77	45
SITL120611-R12LA-S1	120	15	0.125±10%	0.37±10%	102	87	77	45
SITL120611-R15LA-S1	150	15	0.125±10%	0.37±10%	84	71	77	45
SITL120611-R17LA-S1	170	15	0.125±10%	0.37±10%	70	60	77	45
SITL120611-R20LA-S1	200	15	0.125±10%	0.37±10%	58	50	77	45

Note:

- Initial Inductance: Testing at 100 KHz / 1.0 Vrms.
- Saturation Current (Isat): DC current that will cause initial Inductance to drop approximately 20%.
- Heating Current: DC current that will cause an approximate ΔT of 40°C.
- All test data is referenced to 25°C ambient.
- Isat-2 test data is referenced to 100°C ambient.
- Operating temperature : -40~+125°C (Including self - temperature rise).



■ REEL DIMENSIONS AND PACKAGING QUANTITY



Unit: mm

TYPE	W	P	REEL SIZE	PCS / REEL
SITL120611-S1	24	12	330 mm (13")	400