



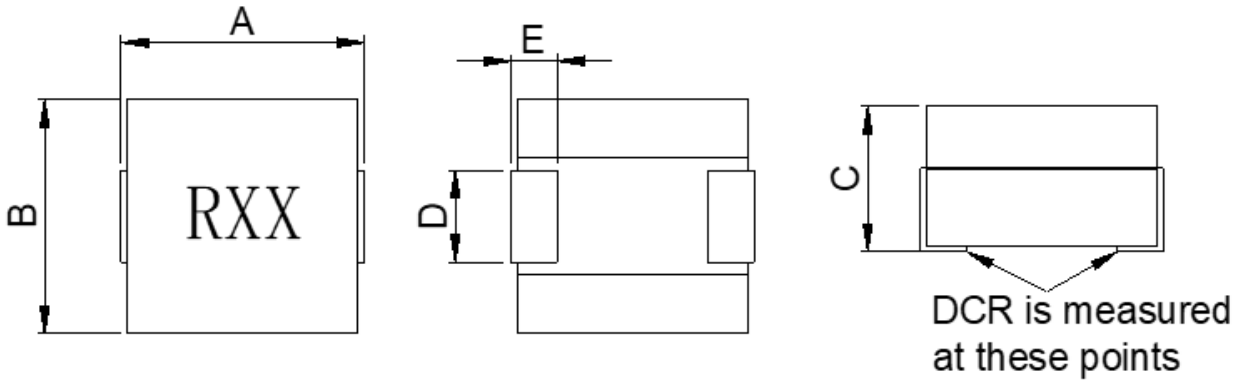
INDEX

SHAPES AND DIMENSIONS.....	1
PART NUMBER CODE	2
ELECTRICAL CHARACTERISTICS	3
REEL DIMENSIONS AND PACKAGING QUANTITY	4



SMT Power Inductor SIH131308-R32 series

■ SHAPES AND DIMENSIONS

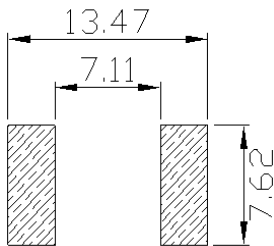


Unit: mm

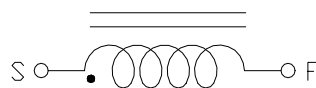
P/N	A max	B max	C max	D	E
SIH131308-R32	13.46	12.95	8.5/8.0	5.0 ± 0.3	2.54 ± 0.3

Marking : XXX = Inductance

Recommend PAD Layout



Equivalent circuit





■ PART NUMBER CODE

SIH 131308 - R11 K A - R32
1 **2** **3** **4** **5** **6**

1. Series Name
2. Size Code
3. Inductance(R=Decimal Point) Unit : nH ; R11 = 0.11uH = 110nH
4. Inductance tolerance: "K"±10%; "L"±15%
5. Soldering : A=Lead Free
6. Special code



■ ELECTRICAL CHARACTERISTICS

1. Part Number and Characteristics Table

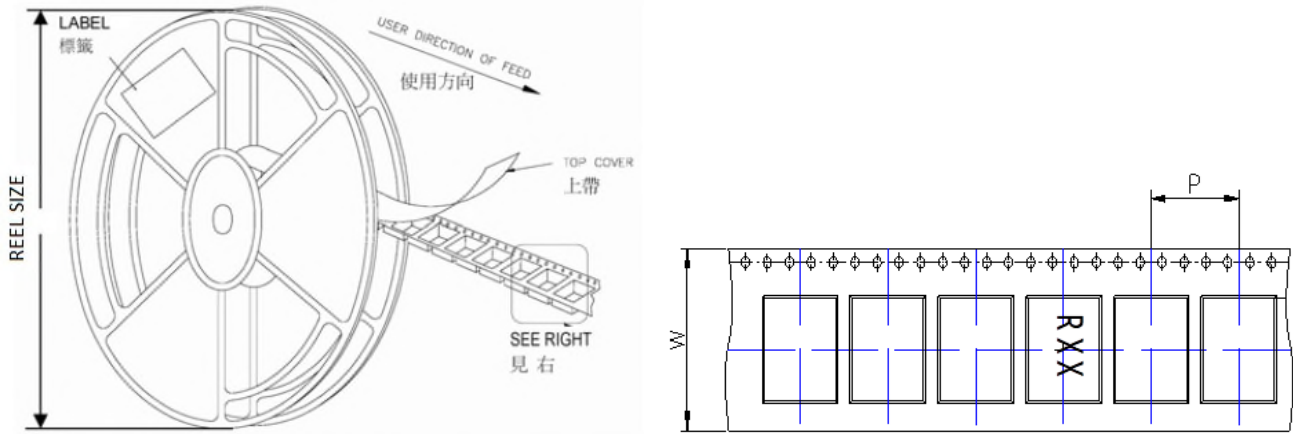
Part number	Initial Inductance (nH)	Tolerance (±%)	DCR (mΩ)	1-Saturation Current @25°C (Amps)(typ)	2-Saturation Current @125°C (Amps)(typ)	Temperature Rise Current (Amps)(typ)	C mm
SIH131308-R11KA-R32	110.0	10	0.32 ± 9.4%	120	105	45	8.5
SIH131308-R21LA-R32	210.0	15	0.32 ± 9.4%	70	55	45	8.3
SIH131308-R26LA-R32	260.0	15	0.32 ± 9.4%	60	45	45	8.2
SIH131308-R32LA-R32	320.0	15	0.32 ± 9.4%	50	35	45	8.0
SIH131308-R44LA-R32	440.0	15	0.32 ± 9.4%	35	25	45	8.0
SIH131308-R50LA-R32	500.0	15	0.32 ± 9.4%	28	23	45	8.0

Note:

- Initial Inductance: Testing at 100 KHz / 1.0 Vrms.
- Saturation Current: DC current that will cause initial Inductance to drop approximately 20%.
- Temperature Rise Current: DC current that will cause an approximate ΔT of 40°C.
- All test data is referenced to 25°C ambient. 2-Saturation Current test data is referenced to 125°C ambient.
- Operating temperature : -40~+125°C



■ REEL DIMENSIONS AND PACKAGING QUANTITY



Unit: mm

TYPE	W	P	REEL SIZE	PCS / REEL
SIH131308-R32	24	16	330 mm (13")	450