



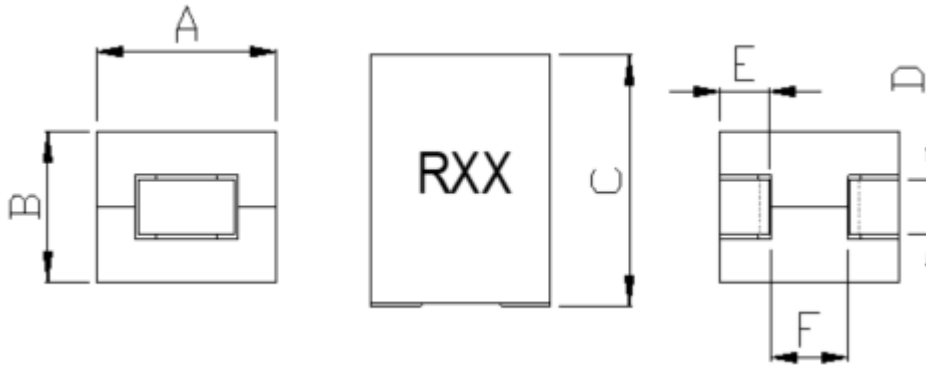
# INDEX

SHAPES AND DIMENSIONS.....	1
PART NUMBER CODE .....	2
ELECTRICAL CHARACTERISTICS .....	3
REEL DIMENSIONS AND PACKAGING QUANTITY .....	4



## SMT Power Inductor SIE2100712-R15 Series

### ■ SHAPES AND DIMENSIONS

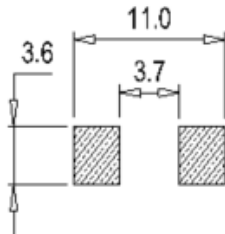


Unit: mm

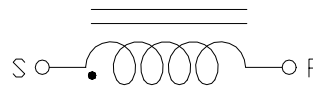
P/N	A max	B max	C max	D ref	E ref	F ref
SIE2100712-R15	10.7	7.5	12.0	3.1	2.8	4.4

Marking : XXX = Inductance

Recommend PAD Layout



Equivalent circuit





## ■ PART NUMBER CODE

SIE2 100712 - R12 L A - R15  
1        2                3    4    5                6

1. Series Name
2. Size Code
3. Inductance(R=Decimal Point) Unit :  $\mu\text{H}$  ; R12 =0.12uH
4. Inductance tolerance: "L" $\pm 15\%$ ; "M" $\pm 20\%$ .
5. Soldering : A=Lead Free
6. Special code



## ■ ELECTRICAL CHARACTERISTICS

### 1. Part Number and Characteristics Table

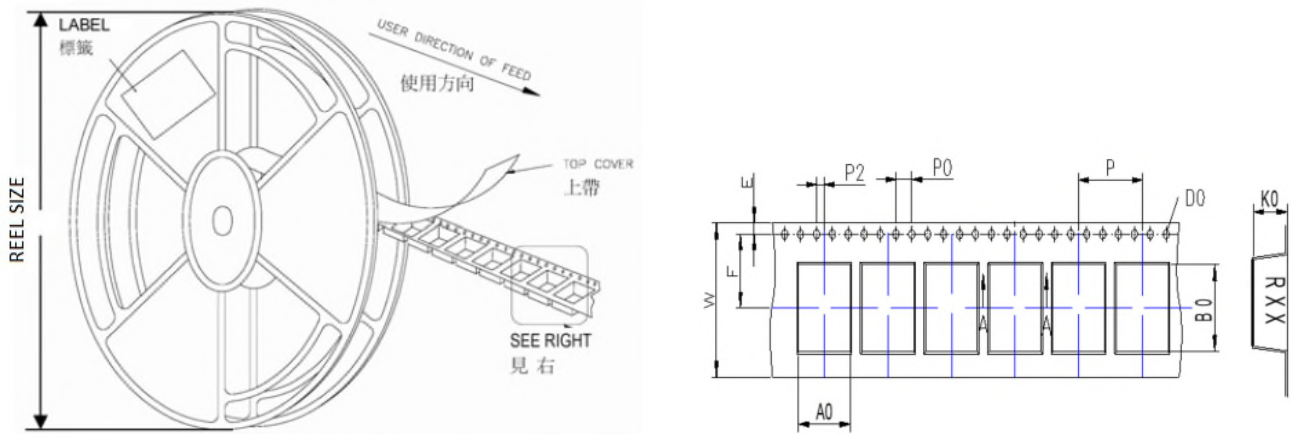
Part number	Initial Inductance (nH)	Tolerance (±%)	DCR (mΩ)	1-Saturation Current @25°C (Amps)(typ)	2-Saturation Current @100°C (Amps)(typ)	Temperature Rise Current (Amps)(typ)
SIE2100712-R12LA-R15	120	15	0.15±10%	120	105	62
SIE2100712-R15LA-R15	150	15	0.15±10%	100	80	62
SIE2100712-R18LA-R15	180	15	0.15±10%	80	70	62
SIE2100712-R22LA-R15	220	15	0.15±10%	75	64	62
SIE2100712-R25LA-R15	250	15	0.15±10%	66	56	62
SIE2100712-R27LA-R15	270	15	0.15±10%	60	51	62
SIE2100712-R32MA-R15	320	20	0.15±10%	51	43	62
SIE2100712-R40MA-R15	400	20	0.15±10%	41	35	62
SIE2100712-R47MA-R15	470	20	0.15±10%	34	29	62
SIE2100712-R60MA-R15	600	20	0.15±10%	24.5	21	62

Note:

- Initial Inductance: Testing at 100 KHz / 1.0 Vrms.
- Saturation Current: DC current that will cause initial Inductance to drop approximately 20%.
- Temperature Rise Current: DC current that will cause an approximate  $\Delta T$  of 40°C.
- All test data is referenced to 25°C ambient.
- Operating temperature : -40~+125°C (Including self - temperature rise).



## ■ REEL DIMENSIONS AND PACKAGING QUANTITY



Unit: mm

TYPE	W	P	REEL SIZE	PCS / REEL
SIE2100712-R15	24	16	330 mm (13")	300