



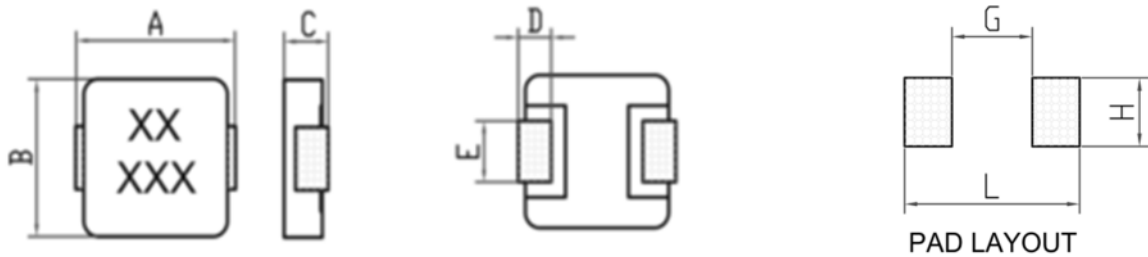
# INDEX

<b>SHAPES AND DIMENSIONS.....</b>	<b>1</b>
<b>PART NUMBER CODE .....</b>	<b>1</b>
<b>ELECTRICAL CHARACTERISTICS.....</b>	<b>2</b>
<b>REEL DIMENSIONS AND PACKAGING QUANTITY .....</b>	<b>3</b>



**Shielded SMT High Current Power Inductor**  
Automotive reliability comply with AEC-Q200 grade 1  
**SPIM0804F series**

**■ SHAPES AND DIMENSIONS**



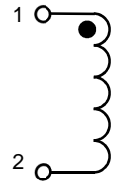
Unit: mm

Item	A	B	C	D	E	G	H	L
SPIM0804F	8.6±0.3	8.1±0.25	3.8±0.2	1.8±0.3	3.2±0.5	4.6	3.8	10.6

Marking :

XX = MF  
XXX = Inductance

Schematic :



**■ PART NUMBER CODE**

**SPIM   0804   F   -   1R0   M   A**  
**1        2        3            4        5        6**

1. Series Name
2. Size Code
3. Material Code
4. Inductance(R=Decimal Point)    Unit : μH ; 1R0 =1.0uH
5. Inductance tolerance: "M"±20%
6. Soldering : A=Lead Free



## ■ ELECTRICAL CHARACTERISTICS

### 1. Part Number and Characteristics Table

Part No.	Inductance L0 ( uH )	DCR(mΩ)		Isat(A)		Irms(A)	
		Typ.	Max.	Typ.	Max.	Typ.	Max.
SPIM0804F-R33MA	0.33	1.55	2.0	42.0	38.0	29.0	25.0
SPIM0804F-R47MA	0.47	1.88	2.38	36.0	31.0	25.0	22.0
SPIM0804F-2R2MA	2.2	8.30	10.0	16.0	14.5	14.0	12.0
SPIM0804F-4R7MA	4.7	17.5	26.5	13.0	11.0	9.0	8.0
SPIM0804F-8R2MA	8.2	35.5	42.0	8.0	6.5	6.3	5.5
SPIM0804F-100MA	10.0	43.5	52.0	7.0	6.0	6.0	5.0
SPIM0804F-150MA	15.0	53.0	65.0	6.5	5.5	5.5	4.8
SPIM0804F-220MA	22.0	69.8	84.0	5.8	5.0	4.6	4.0
SPIM0804F-330MA	33.0	122.0	144.0	5.0	4.2	3.2	2.7
SPIM0804F-470MA	47.0	148.7	160.0	3.6	3.2	3.0	2.5

Note 1: Referenced ambient temperature 25°C.

Note 2: Test Condition :100kHz ,0.25 Vrms.

Note 3: Isat (Typ): DC current ( A ) that will cause L0 to drop approximately 30%

Isat (Max): DC current ( A ) that will cause L0 to drop 30% Max

Irms (Typ): DC current ( A ) that will cause an approximate ΔT of 40°C

Irms (Max): DC current ( A ) that will cause an ΔT of 40°C Max

Note 4: Operating temperature range includes self-temperature rise.

Note 5: The rated current as listed is either the saturation current or the heating current depending on which value is lower.

### 2. Test equipments

2.1. L: Wayne kerr 3260B LCR meter, Wayne kerr 3265B bias current source.

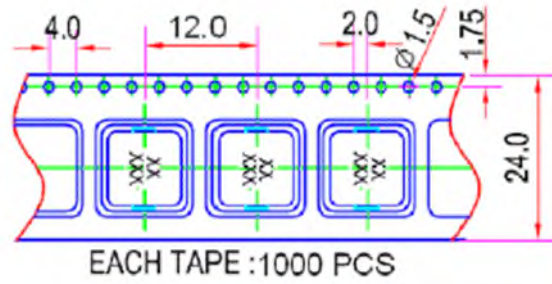
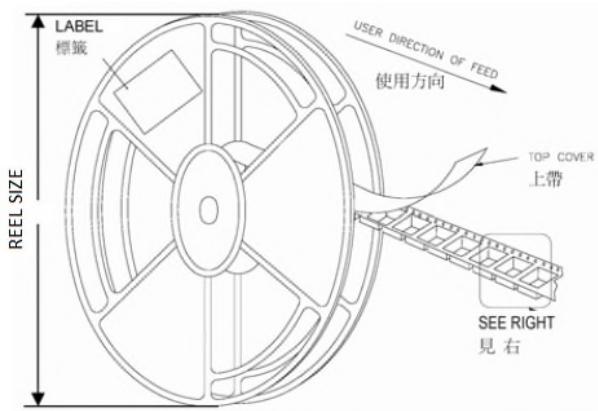
2.2. DCR: Chroma16502 Milliohm Meter

2.3. Operating temperature: -55°C to 125°C

\* Equivalent measurement equipment may be used.



## REEL DIMENSIONS AND PACKAGING QUANTITY



Unit: mm

TYPE	W	P	REEL SIZE	PCS / REEL
<b>SPIM0804F series</b>	24	12	330 mm (13")	1000