



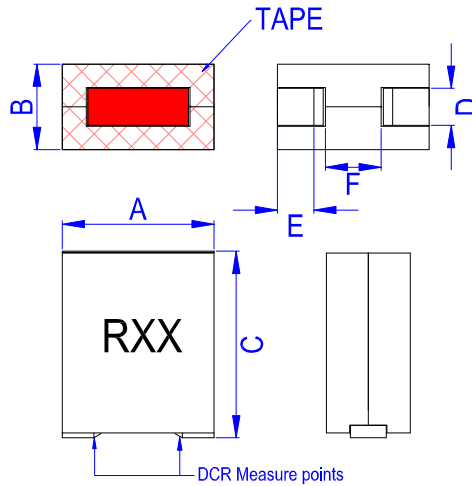
INDEX

SHAPES AND DIMENSIONS.....	1
PART NUMBER CODE	2
ELECTRICAL CHARACTERISTICS	3
REEL DIMENSIONS AND PACKAGING QUANTITY	4



SMT Power Inductor SIE2966509PFA-1 Series

■ SHAPES AND DIMENSIONS

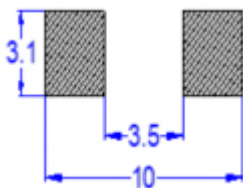


Unit: mm

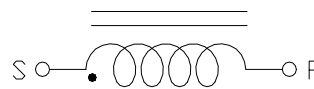
P/N	A max	B max	C max	D	E	F ref
SIE2966509PFA-1	9.6	By each	9.0	2.6±0.3	2.5±0.5	3.8

Marking : XXX = Inductance

Recommend PAD Layout



Equivalent circuit





■ PART NUMBER CODE

SIE2 966509PFA - R10 L A 1
1 2 3 4 5 6

1. Series Name
2. Size Code
3. Inductance(R=Decimal Point) Unit : μH ; R10 =0.10uH
4. Inductance tolerance: "M" \pm 20%; "L" \pm 15%
5. Soldering : A=Lead Free
6. Special code



■ ELECTRICAL CHARACTERISTICS

1. Part Number and Characteristics Table

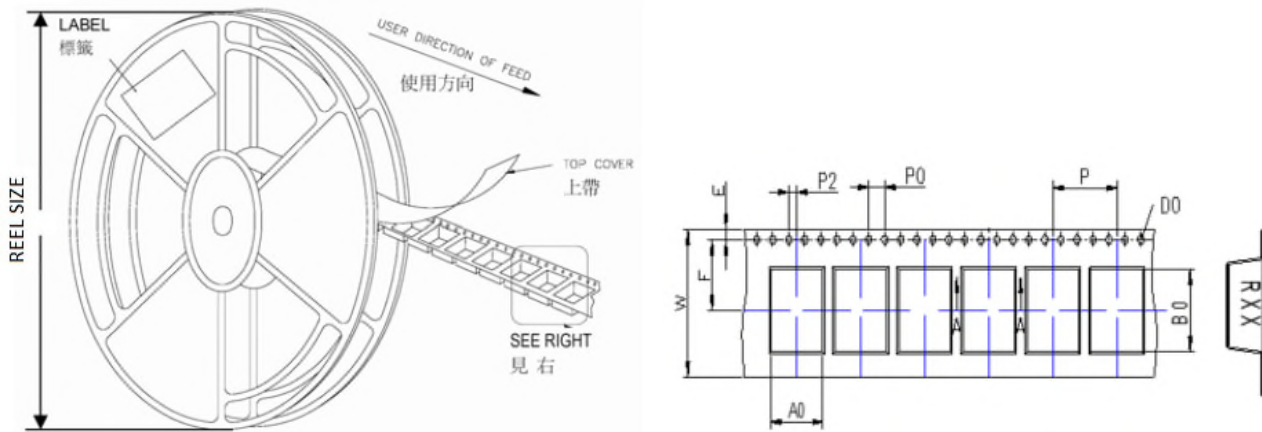
Part number	Initial Inductance (nH)	Tolerance (±%)	DCR (mΩ)	1-Saturation Current @25°C (Amps)(typ)	2-Saturation Current @100°C (Amps)(typ)	Temperature Rise Current (Amps)(typ)	Dim B (mm)
SIE2966509PFA-65NL1	65	15	0.17±5%	120	110	66	6.5±0.2
SIE2966509PFA-75NL1	75	15	0.17±5%	120	110	66	6.5±0.2
SIE2966509PFA-R09L1	90	15	0.17±5%	110	100	66	6.5 Max
SIE2966509PFA-R10L1	100	15	0.17±5%	110	100	66	6.5 Max
SIE2966509PFA-R12L1	120	15	0.17±5%	94	80	66	6.5 Max
SIE2966509PFA-R15L1	150	15	0.17±5%	75	60	66	6.5 Max
SIE2966509PFA-R17L1	170	15	0.17±5%	65	55	66	6.5 Max
SIE2966509PFA-R18L1	180	15	0.17±5%	65	55	66	6.5 Max
SIE2966509PFA-R21L1	210	15	0.17±5%	48	35	66	6.5 Max
SIE2966509PFA-R22L1	220	15	0.17±5%	47	35	66	6.5 Max
SIE2966509PFA-R30L1	300	15	0.17±5%	33	20	66	6.5 Max

Note:

- Initial Inductance: Testing at 100 KHz / 1.0 Vrms.
- Saturation Current: DC current that will cause initial Inductance to drop approximately 20%.
- Temperature Rise Current: DC current that will cause an approximate ΔT of 40°C.
- All test data is referenced to 25°C ambient.
- Operating temperature : -40~+125°C (Including self - temperature rise).



■ REEL DIMENSIONS AND PACKAGING QUANTITY



Unit: mm

TYPE	W	P	REEL SIZE	PCS / REEL
SIE2966509PFA-1	24	16	330 mm (13")	400