



# INDEX

SHAPES AND DIMENSIONS..... 1

PART NUMBER CODE ..... 2

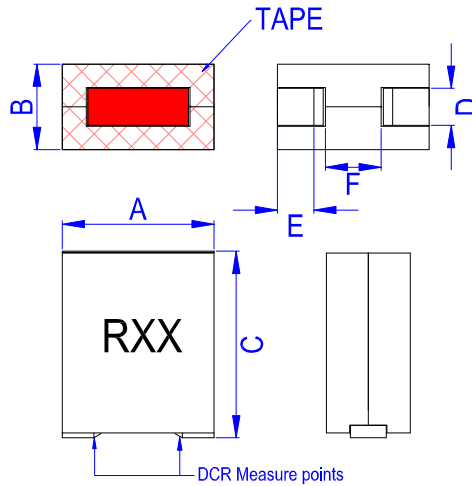
ELECTRICAL CHARACTERISTICS ..... 3

REEL DIMENSIONS AND PACKAGING QUANTITY ..... 4



## SMT Power Inductor SIE2100709-R18 Series

### ■ SHAPES AND DIMENSIONS

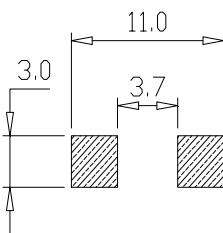


Unit: mm

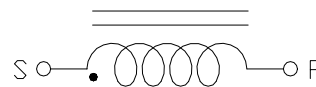
P/N	A max	B max	C max	D	E	F
SIE2100709-R18	10.0	7.0	9.0	2.5±0.3	2.5±0.5	4.0 ref

Marking : XXX = Inductance

Recommend PAD Layout



Equivalent circuit





## ■ PART NUMBER CODE

SIE2 100709 - R10 L A - R18  
1        2                    3    4    5                    6

1. Series Name
2. Size Code
3. Inductance(R=Decimal Point) Unit :  $\mu\text{H}$  ; R10 =0.10uH
4. Inductance tolerance: "L" $\pm 15\%$ ; "M" $\pm 20\%$ .
5. Soldering : A=Lead Free
6. Special code



## ■ ELECTRICAL CHARACTERISTICS

### 1. Part Number and Characteristics Table

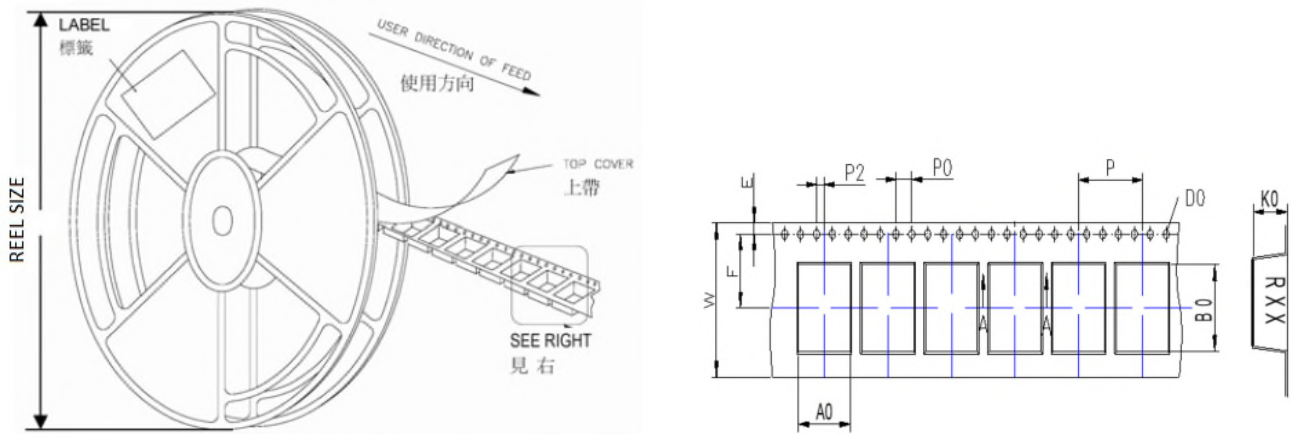
Part number	Initial Inductance (nH)	Tolerance (±%)	DCR (mΩ)	1-Saturation Current @25°C (Amps)(typ)	2-Saturation Current @100°C (Amps)(typ)	Temperature Rise Current (Amps)(typ)
SIE2100709-R10LA-R18	100	15	0.18±10%	105	90	70
SIE2100709-R12LA-R18	120	15	0.18±10%	80	70	70
SIE2100709-R15LA-R18	150	15	0.18±10%	70	60	70
SIE2100709-R18LA-R18	180	15	0.18±10%	60	50	70
SIE2100709-R22LA-R18	220	15	0.18±10%	55	45	70
SIE2100709-R32MA-R18	320	20	0.18±10%	35	30	70
SIE2100709-R40MA-R18	400	20	0.18±10%	25	20	70

Note:

- Initial Inductance: Testing at 100 KHz / 1.0 Vrms.
- Saturation Current: DC current that will cause initial Inductance to drop approximately 20%.
- Temperature Rise Current: DC current that will cause an approximate ΔT of 40°C.
- All test data is referenced to 25°C ambient.
- Operating temperature : -40~+125°C (Including self - temperature rise).



## ■ REEL DIMENSIONS AND PACKAGING QUANTITY



Unit: mm

TYPE	W	P	REEL SIZE	PCS / REEL
SIE2100709-R18	24	16	330 mm (13")	400