



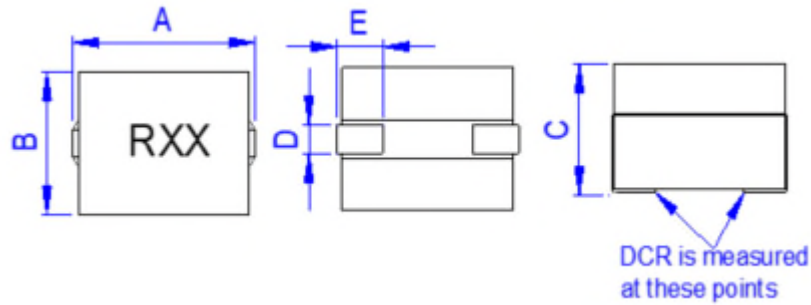
INDEX

SHAPES AND DIMENSIONS.....	1
PART NUMBER CODE	2
ELECTRICAL CHARACTERISTICS	3
REEL DIMENSIONS AND PACKAGING QUANTITY	4



SMT Power Inductor SIH070707-R29 Series

■ SHAPES AND DIMENSIONS

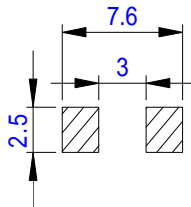


Unit: mm

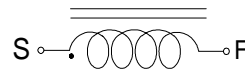
P/N	A	B	C	D	E
SIH070707-R29	7.0 ± 0.5	7.0 ± 0.5	7.0 ± 0.5	2.0 ± 0.2	1.8 ± 0.2

Marking : RXX = Inductance

Recommend PAD Layout



Equivalent circuit





PART NUMBER CODE

SIH **070707** - **R10** **M** **A** - **R29**
1 **2** **3** **4** **5** **6**

1. Series Name
2. Size Code
3. Inductance(R=Decimal Point) Unit : nH ; R10 = 0.1uH = 100nH
4. Inductance tolerance: "M"±20%.
5. Soldering : A=Lead Free
6. Special code



■ ELECTRICAL CHARACTERISTICS

1. Part Number and Characteristics Table

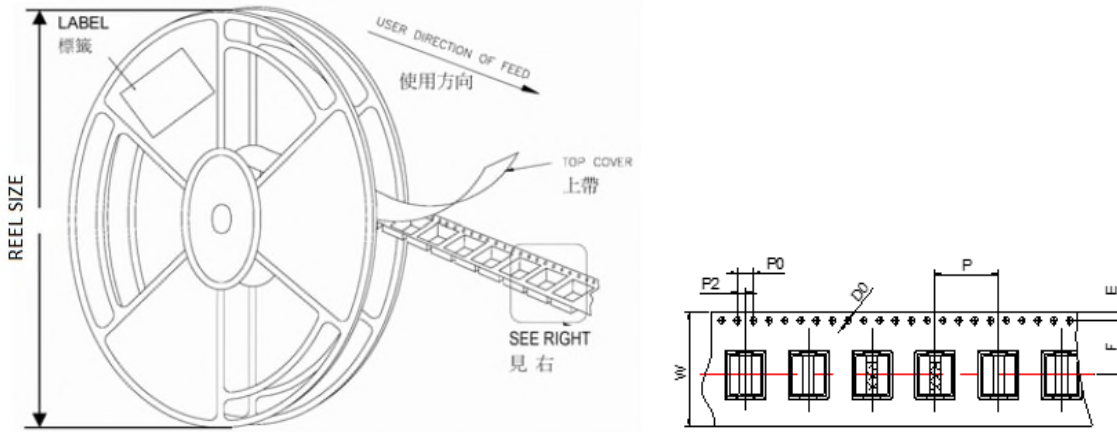
Part number	Initial Inductance (nH)	Tolerance (±%)	DCR (mΩ)	1-Saturation Current @25°C (Amps)(typ)	Temperature Rise Current (Amps)(typ)
SIH070707-R10MA-R29	100.0	20	0.29 ± 10%	60	35
SIH070707-R12MA-R29	120.0	20	0.29 ± 10%	48	35
SIH070707-R15MA-R29	150.0	20	0.29 ± 10%	42	35
SIH070707-R18MA-R29	180.0	20	0.29 ± 10%	35	35
SIH070707-R22MA-R29	220.0	20	0.29 ± 10%	25	35
SIH070707-R25MA-R29	250.0	20	0.29 ± 10%	22	35
SIH070707-R33MA-R29	330.0	20	0.29 ± 10%	12	35

Note:

- Initial Inductance: Testing at 100 KHz / 1.0 Vrms.
- Saturation Current: DC current that will cause initial Inductance to drop approximately 20%.
- Temperature Rise Current: DC current that will cause an approximate ΔT of 40°C.
- All test data is referenced to 25°C ambient.
- Operating temperature : -40~+125°C (Including self - temperature rise).



■ REEL DIMENSIONS AND PACKAGING QUANTITY



Unit: mm

TYPE	W	P	REEL SIZE	PCS / REEL
SIH070707-R29	24	16	330 mm (13")	500