



INDEX

SHAPES AND DIMENSIONS..... 1

PART NUMBER CODE 2

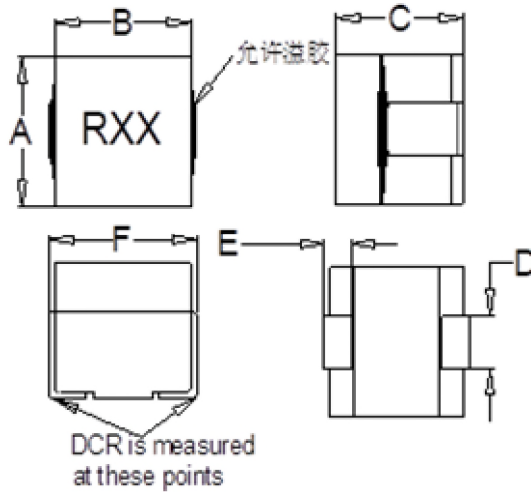
ELECTRICAL CHARACTERISTICS 3

REEL DIMENSIONS AND PACKAGING QUANTITY 4



SMT Power Inductor SIC131309-R17 series

■ SHAPES AND DIMENSIONS

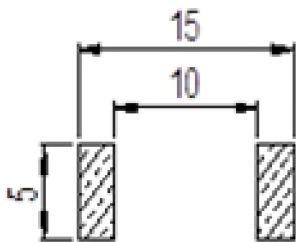


Unit: mm

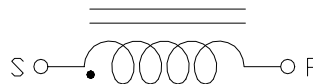
P/N	A	B	C	D	E	F
SIC131309-R17	13.0 ± 0.5	12.5 ± 0.5	9.0 ± 0.5	4.5 ± 0.2	1.8 ± 0.3	14.0 ± 0.5

Marking : XXX = Inductance

Recommend PAD Layout



Equivalent circuit





■ PART NUMBER CODE

SIC 131309 - R12 L A - R17
1 **2** **3** **4** **5** **6**

1. Series Name
2. Size Code
3. Inductance(R=Decimal Point) Unit : nH ; R12 = 0.12uH = 120nH
4. Inductance tolerance: L"±15%; "M"±20%
5. Soldering : A=Lead Free
6. Special code



■ ELECTRICAL CHARACTERISTICS

1. Part Number and Characteristics Table

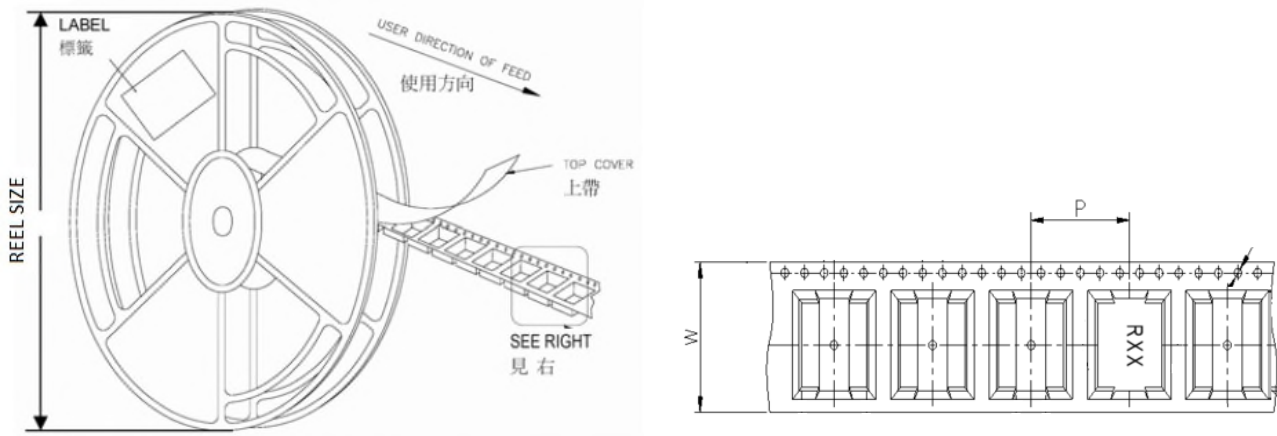
Part number	Initial Inductance (nH)	Tolerance (±%)	DCR (mΩ)	Saturation Current @25°C (Amps)(typ)	Temperature Rise Current (Amps)(typ)
SIC131309-R12LA-R17	120.0	15	0.170± 7%	100 Min	50
SIC131309-R16LA-R17	160.0	15	0.170± 7%	100	50
SIC131309-R22LA-R17	220.0	15	0.170± 7%	90	50
SIC131309-R25LA-R17	250.0	15	0.170± 7%	60 Min	50
SIC131309-R30LA-R17	300.0	15	0.170± 7%	60 Min	50
SIC131309-R33LA-R17	330.0	15	0.170± 7%	60	50
SIC131309-R36LA-R17	360.0	15	0.170± 7%	54	50
SIC131309-R47LA-R17	470.0	15	0.170± 7%	40	50
SIC131309-R56MA-R17	560.0	20	0.170± 7%	30	50
SIC131309-R68MA-R17	680.0	20	0.170± 7%	24	50

Note:

- Initial Inductance: Testing at 100 KHz / 1.0 Vrms.
- Saturation Current: DC current that will cause initial Inductance to drop approximately 20%.
- Temperature Rise Current: DC current that will cause an approximate ΔT of 40°C.
- All test data is referenced to 25°C ambient.
- Operating temperature : -40~+125°C (Including self - temperature rise).



■ REEL DIMENSIONS AND PACKAGING QUANTITY



Unit: mm

TYPE	W	P	REEL SIZE	PCS / REEL
SIC131309-R17	24	20	330 mm (13")	300