



INDEX

SHAPES AND DIMENSIONS..... 1

PART NUMBER CODE 2

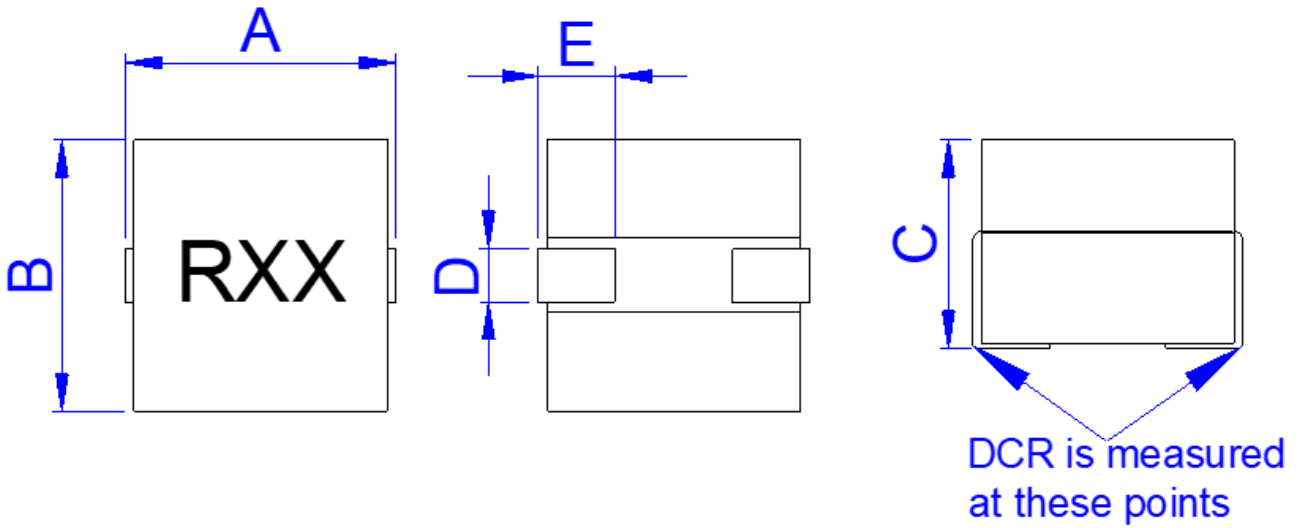
ELECTRICAL CHARACTERISTICS 3

REEL DIMENSIONS AND PACKAGING QUANTITY 4



SMT Power Inductor SIH111109-R30 series

■ SHAPES AND DIMENSIONS

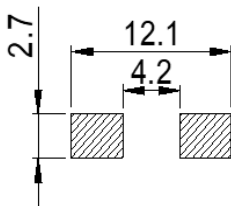


Unit: mm

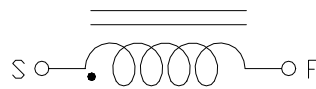
P/N	A	B	C	D	E
SIH111109-R30	11.3 ± 0.5	11.0 ± 0.5	9.0 ± 0.5	2.2 ± 0.2	3.2 ± 0.5

Marking : XXX = Inductance

Recommend PAD Layout



Equivalent circuit





■ PART NUMBER CODE

SIH 111109 - R15 L A - R30
1 **2** **3** **4** **5** **6**

1. Series Name
2. Size Code
3. Inductance(R=Decimal Point) Unit : nH ; R15 = 0.15uH = 150nH
4. Inductance tolerance: "L"±15%; "M"±20%.
5. Soldering : A=Lead Free
6. Special code



■ ELECTRICAL CHARACTERISTICS

1. Part Number and Characteristics Table

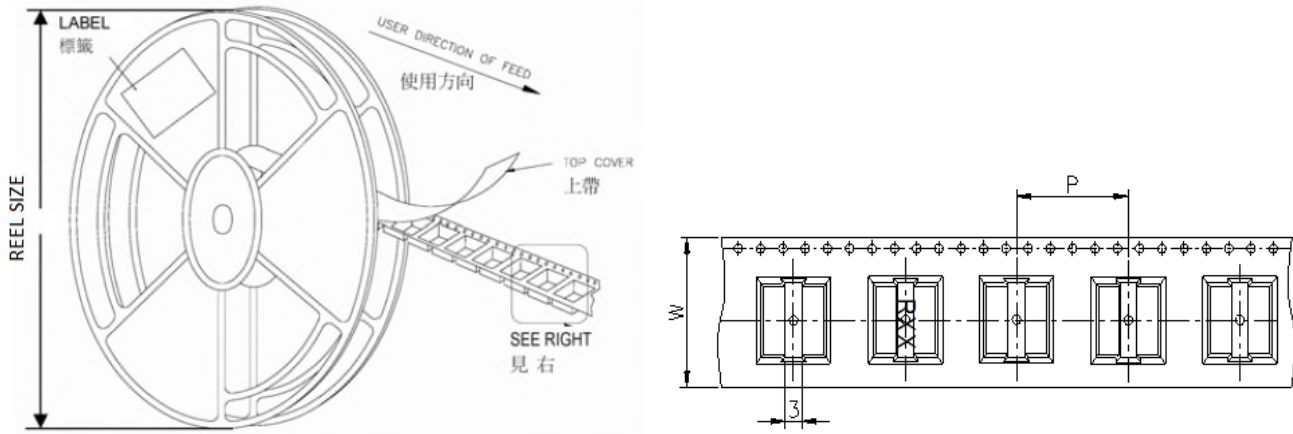
Part number	Initial Inductance (nH)	Tolerance (±%)	DCR (mΩ)	1-Saturation Current @25°C (Amps)(typ)	2-Saturation Current @125°C (Amps)(typ)	Temperature Rise Current (Amps)(typ)
SIH111109-R15LA-R30	150.0	15	0.30 ± 7%	80	70	40
SIH111109-R23MA-R30	230.0	20	0.30 ± 7%	60	50	40
SIH111109-R25MA-R30	250.0	20	0.30 ± 7%	60	45	40
SIH111109-R30MA-R30	300.0	20	0.30 ± 7%	50	43	40
SIH111109-R32MA-R30	320.0	20	0.30 ± 7%	45	38	40
SIH111109-R38MA-R30	380.0	20	0.30 ± 7%	40	30	40
SIH111109-R46MA-R30	460.0	20	0.30 ± 7%	32	22	40
SIH111109-R54MA-R30	540.0	20	0.30 ± 7%	26	18	40

Note:

- Initial Inductance: Testing at 100 KHz / 1.0 Vrms.
- Saturation Current: DC current that will cause initial Inductance to drop approximately 20%.
- Temperature Rise Current: DC current that will cause an approximate ΔT of 40°C.
- All test data is referenced to 25°C ambient. 2-Saturation Current test data is referenced to 125°C ambient.
- Operating temperature : -40~+125°C (Including self - temperature rise).



■ REEL DIMENSIONS AND PACKAGING QUANTITY



Unit: mm

TYPE	W	P	REEL SIZE	PCS / REEL
SIH111109-R30	24	20	330 mm (13")	300