



INDEX

SHAPES AND DIMENSIONS..... 1

PART NUMBER CODE 2

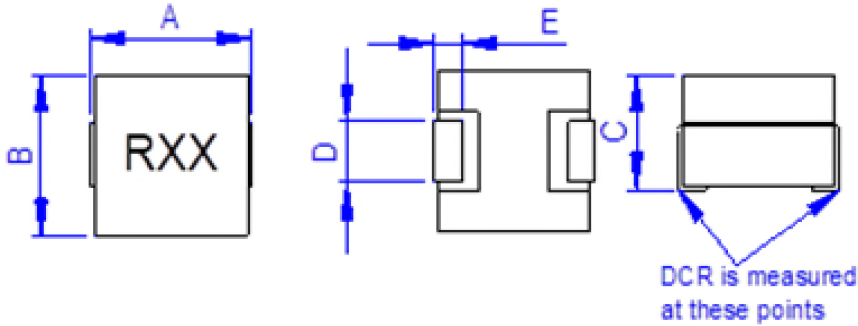
ELECTRICAL CHARACTERISTICS 3

REEL DIMENSIONS AND PACKAGING QUANTITY 4



SMT Power Inductor SIC0805-R17 Series

■ SHAPES AND DIMENSIONS

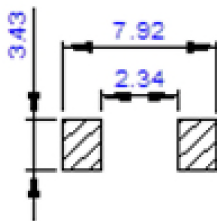


Unit: mm

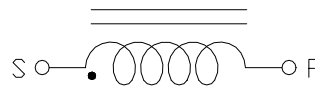
P/N	A max	B max	C max	D	E
SIC0805-R17	7.62	7.49	5.0	3.12±0.2	2.16±0.2

Marking : XXX = Inductance

Recommend PAD Layout



Equivalent circuit





■ PART NUMBER CODE

SIC 0805 - R06 L A - R17
1 2 3 4 5 6

1. Series Name
2. Size Code
3. Inductance(R=Decimal Point) Unit : nH ; R06 = 0.06uH = 60nH
4. Inductance tolerance: "L"±15%
5. Soldering : A=Lead Free
6. Special code



■ ELECTRICAL CHARACTERISTICS

1. Part Number and Characteristics Table

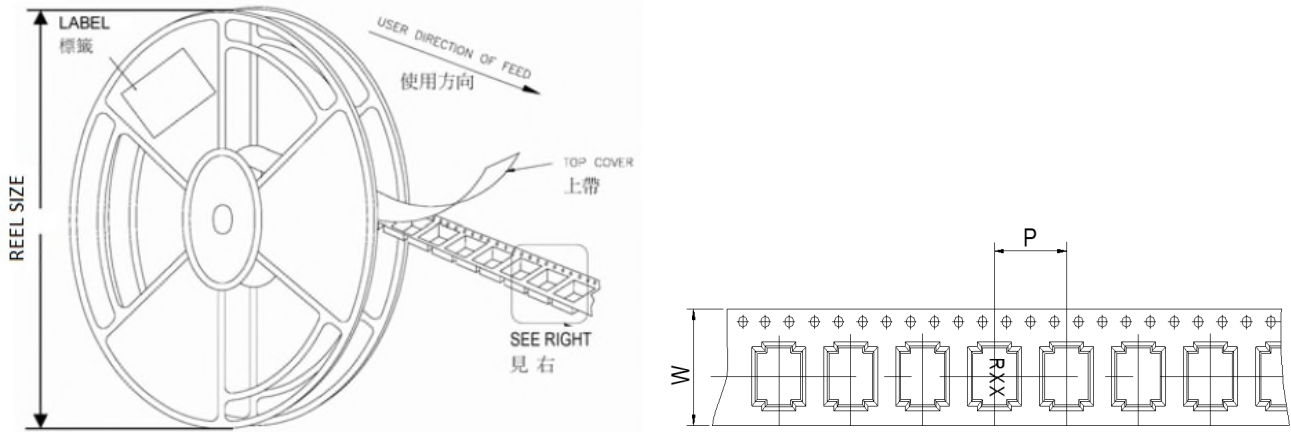
Part number	Initial Inductance (nH)	Tolerance (±%)	DCR (mΩ)	1-Saturation Current @25°C (Amps)(typ)	Temperature Rise Current (Amps)(typ)
SIH0805-R06LA-R17	60.0	15	0.17± 17%	80	65
SIH0805-R07LA-R17	70.0	15	0.17± 17%	55	65
SIH0805-R075LA-R17	75.0	15	0.17± 17%	50	65
SIH0805-R10LA-R17	100.0	15	0.17± 17%	42	65
SIH0805-R12LA-R17	120.0	15	0.17± 17%	33	65
SIH0805-R14LA-R17	140.0	15	0.17± 17%	29	65
SIH0805-R15LA-R17	150.0	15	0.17± 17%	25	65
SIH0805-R17LA-R17	170.0	15	0.17± 17%	21	65

Note:

- Initial Inductance: Testing at 100 KHz / 1.0 Vrms.
- Saturation Current: DC current that will cause initial Inductance to drop approximately 20%.
- Temperature Rise Current: DC current that will cause an approximate ΔT of 40°C.
- All test data is referenced to 25°C ambient.
- Operating temperature : -40~+125°C (Including self - temperature rise).



■ REEL DIMENSIONS AND PACKAGING QUANTITY



Unit: mm

TYPE	W	P	REEL SIZE	PCS / REEL
SIC0805-R17	16	12	330 mm (13")	1000